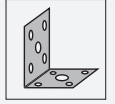


## Mounting ring VOS-IL-MH05



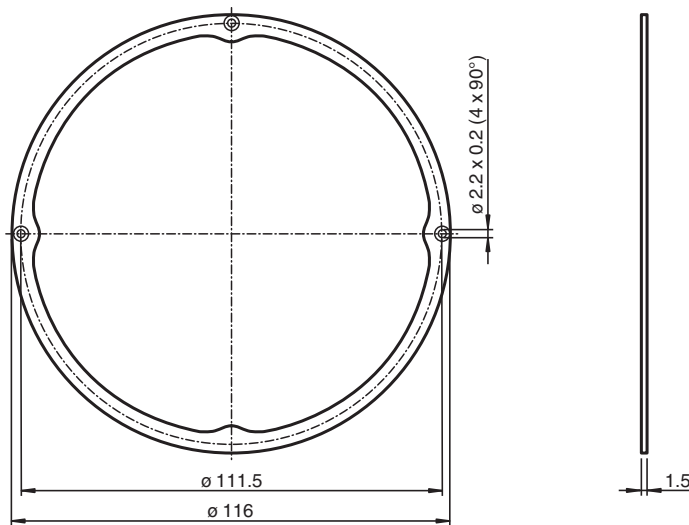
- Simple mounting
- For mounting on VOS ring lighting VOS-IL-F236W-\*

Mounting ring for fastening optical accessories to VOS ring lighting

### Function

Mounting ring for fastening optical filter disks to ring lighting.

### Dimensions



### Technical Data

#### Mechanical specifications

Material	anodized aluminum
Mass	10 g
Mounting	Mounting accessories included