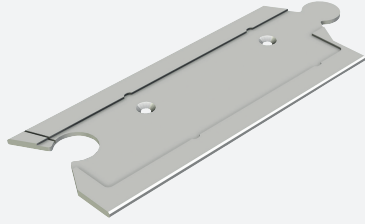


# Countersunk profile rail

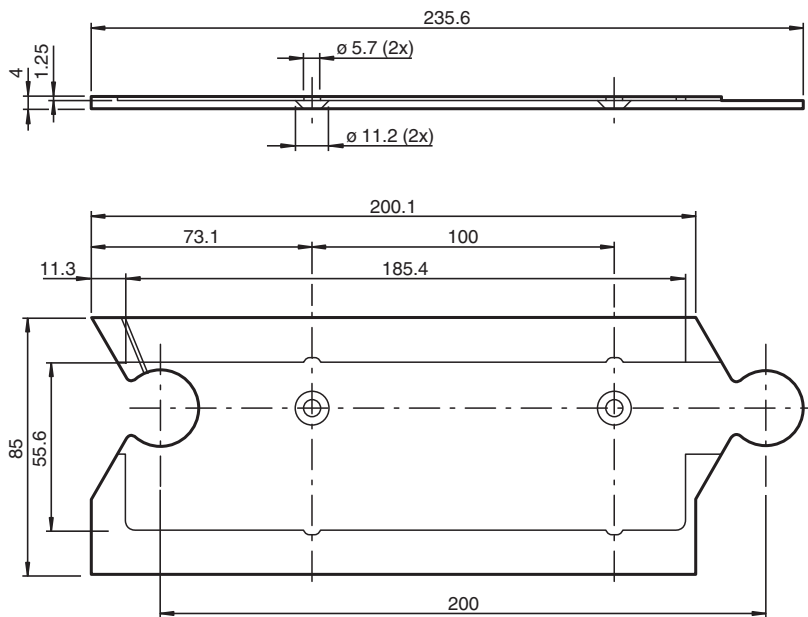
## PGV-PR-GM-CONTROL200R



- Sturdy construction

Countersunk rail for creating endless rail sections and for additionally attaching a control code on the right-hand side

### Dimensions



### Technical Data

#### General specifications

Length	235.6 mm
Width	85 mm

#### Ambient conditions

Operating temperature	-40 ... 80 °C (-40 ... 176 °F)
Installation temperature	10 ... 40 °C (50 ... 104 °F)

#### Mechanical specifications

Material thickness	4 mm
Material	AlMg4.5Mn0.7

Release date: 2023-01-11 Date of issue: 2023-01-12 Filename: 70151827\_eng.pdf



## Technical Data

Surface	ELOX-E0EV1-15
Mass	143 g

## Mounting

Countersunk profile rails are embedded into a pre-milled groove in the floor. These are glued or screwed into the floor groove depending on the application. The milled floor groove is then grouted with suitable filler material. The groove for the countersunk profile rails must be protected against penetration of glue or filler material during installation. Once the filler material has dried out, the corresponding metal code bar is inserted into the countersunk profile rails via the self-adhesive rear side. If necessary, metal code bars that have been glued in can be replaced by levering them out.

## Accessories

	<b>PGV-PR-GM-CONT200</b>	Countersunk rail for realization of continuous tracks
	<b>PGV-PR-PROTECT200</b>	Mounting protection strips for protecting the countersunk profile rails (200 mm) during installation in the floor.