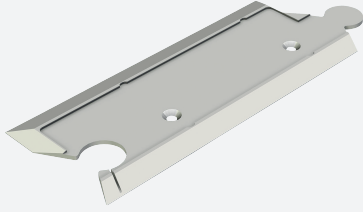


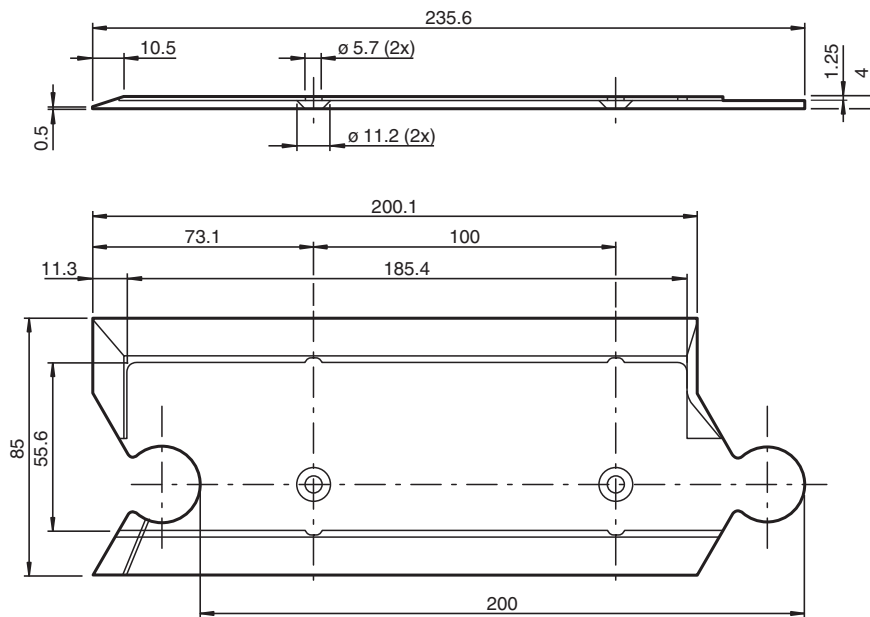
Drive-over profile rail PGV-PR-SM-CONTROL200L



■ Sturdy construction

Drive-over profile rail for creating endless rail sections and for additionally attaching a control code on the left-hand side

Dimensions



Technical Data

General specifications

Length	235.6 mm
Width	85 mm

Ambient conditions

Operating temperature	-40 ... 80 °C (-40 ... 176 °F)
Installation temperature	10 ... 40 °C (50 ... 104 °F)

Mechanical specifications

Material thickness	4 mm
Material	AlMg4.5Mn0.7

Release date: 2023-01-11 Date of issue: 2023-01-12 Filename: 70151828_eng.pdf


Technical Data

Surface	ELOX-E0EV1-15
Mass	119 g

Mounting

Drive-over profile rails are screwed directly to the floor. Alternatively, the drive-over profile rails can be glued to the subfloor. The corresponding metal code bar is then inserted into the drive-over profile rails via the self-adhesive rear side. If necessary, metal code bars that have been glued in can be replaced by levering them out.

Accessories

	PGV-PR-SM-CONT200	Drive-over rail to realize endless tracks
---	--------------------------	---