



Y connection cable

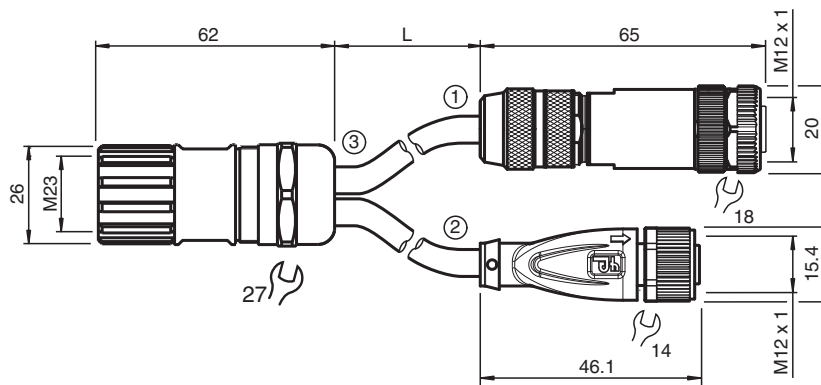
V1/15B-G-0,3M-LIHCH-TP-T-V23-G

- Halogen-free
- Degree of protection IP67

Y connection cable M23 plug straight A-coded 12-pin to M12 socket straight 5-pin B-coded / M12 socket 4-pin straight A-coded, PUR cable grey, shielded



Dimensions



Technical Data

General specifications

Connector 1	
Connection	socket
Construction type	M12
Style	straight
Locking	screw connection
Number of pins	5
Coding	B-coded
Connector 2	
Connection	socket
Construction type	M12
Style	straight
Locking	screw connection
Number of pins	4
Coding	A-coded
Connector 3	
Connection	plug
Construction type	M23
Style	straight

Release date: 2025-04-10 Date of issue: 2025-04-10 Filename: 70152435_eng.pdf

Technical Data

Locking		screw connection
Number of pins		12
Coding		A-coded
Electrical specifications		
Operating voltage	U_B	max. 30 V AC/DC
Operating current	I_B	max. 2 A
Conformity		
Degree of protection		EN 60529
Plug connection		connector M12 x 1 : IEC 61076-2-101
Halogen-free		DIN VDE 0472-815 DIN EN 50267-2-1
Ambient conditions		
Ambient temperature		
Connector 1		-40 ... 85 °C (-40 ... 185 °F)
Connector 2		-40 ... 90 °C (-40 ... 194 °F)
Connector 3		-40 ... 125 °C (-40 ... 257 °F)
Cable, fixed installation		-40 ... 80 °C (-40 ... 176 °F)
Cable, flexing		-25 ... 80 °C (-13 ... 176 °F)
Pollution degree		3
Mechanical specifications		
Connector 1		
Tightening torque		0.6 Nm
Tool installation		straight knurling , hexagon nut SW = 18 mm
Mating cycles		min. 50
Shielding		shield connected to screw connection
Degree of protection		IP67
Connector 2		
Tightening torque		0.6 Nm
Loosening protection		available
Tool installation		straight knurling , hexagon nut SW = 14 mm
Mating cycles		min. 100
Shielding		none
Degree of protection		IP68 / IP69
Connector 3		
Tool installation		straight knurling , hexagon nut SW = 27 mm
Mating cycles		min. 1000
Shielding		shield connected to screw connection
Degree of protection		IP67 / IP68 / IP69
Cable		according to IEC/EN 60228 (DIN VDE 0295) class 5
Sheath diameter		4.8 mm
Bending radius		> 10 x cable diameter, movable installation > 5 x cable diameter, fixed installation
Sheath stripping force		max. 100 N / 300 mm
Sheath color		grey (similar to RAL 7001)
Number of cores		4
Core cross section		0.34 mm ²
Cores color		Core 1: brown Core 2: white Core 3: blue Core 4: black
Core construction		19 x 0.15 mm Ø
Shield		tinned copper braiding, 85 % coverage
Length	L	0.3 m
Cable code		Li 9Y 11YM 4 x 0.34
Mass		168.1 g

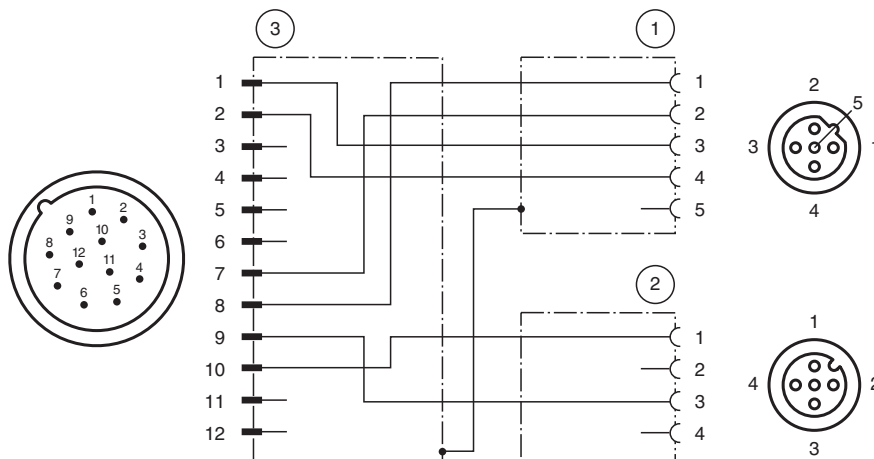
Release date: 2025-04-10 Date of issue: 2025-04-10 Filename: 70152435_eng.pdf

Technical Data

Material

Halogen-free	yes
Connector 1	
Screw connection	Zinc diecast, nickel-plated
Body	Zinc diecast, nickel-plated
Contact surface	Au
Connector 2	
Screw connection	Zinc diecast, nickel-plated
Body	TPU, black
Seal	FKM
Contact surface	Au
Flammability	V-2
Connector 3	
Screw connection	Diecast zinc
Body	Diecast zinc
Contact surface	Au
Cable	
Sheathing	PUR based on polyether
Core insulation	PP
Chemical resistance	good

Connection



Release date: 2025-04-10 Date of issue: 2025-04-10 Filename: 70152435_eng.pdf