



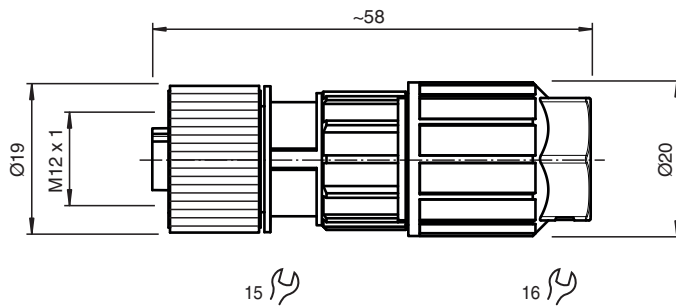
Female connector, field-attachable V15-G-Q3

- Insulation displacement connection
- Metal locking
- Knurled nut suitable for tool assembly

Female connector M12 straight A-coded 5-pin, for cable diameter 4 - 7 mm, field-attachable, insulation displacement connection



Dimensions



Technical Data

General specifications

Connector 1		
Connection		socket
Construction type		M12
Style		straight
Locking		screw connection
Number of pins		5
Coding		A-coded

Electrical specifications

Operating voltage	U_B	max. 48 V AC / 60 V DC
Operating current	I_B	max. 4 A
Insulation resistance		min. 100 M Ω

Conformity

Degree of protection		EN 60529
Plug connection		connector M12 x 1 : IEC 61076-2-101

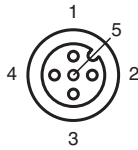
Ambient conditions

Release date: 2025-01-30 Date of issue: 2025-01-30 Filename: 70152941_eng.pdf

Technical Data

Ambient temperature	-40 ... 85 °C (-40 ... 185 °F)
Pollution degree	3
Mechanical specifications	
Plug connector	
Tightening torque	0.4 Nm
Tool installation	straight knurling
Mating cycles	min. 100
Degree of protection	IP65
Connection	Insulation displacement connection for 0.14 ... 0.5 mm ² / AWG 26 ... AWG 20
Cable	
Sheath diameter	4 ... 7 mm
Core cross section	0.5 mm ² / 20 AWG max.
Mass	22.2 g
Material	
Plug connector	
Screw connection	Zinc diecast, nickel-plated
Body	PA, black
Seal	FKM
Contact surface	Ni/Au
Flammability	V-0

Connection Assignment



Connection

