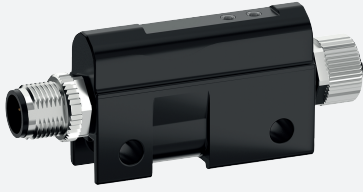


IO-Link converter

ICA-AI-I/U-IO-V1

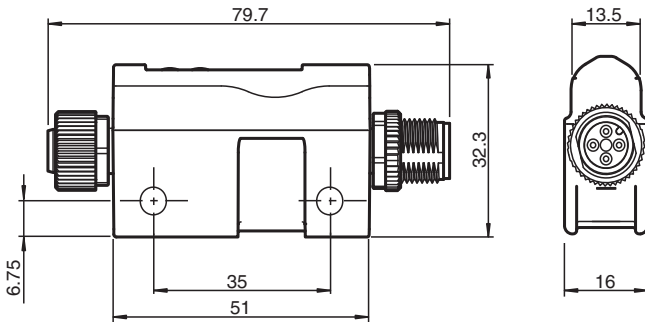


- IO-Link interface
- IP67
- Analog input can be parameterized (current/voltage)
- Current input can be parameterized as 0 ... 20 mA/4 ... 20 mA
- Voltage input can be parameterized as -10 ... 10 V/0 ... 10 V

IO-Link converter with analog input (current/voltage)



Dimensions



Technical Data

General specifications

UL File Number E223772

Functional safety related parameters

MTTF_d 246 a

Indicators/operating means

LED 1 Device status, diagnostics

LED 2 IO-Link status

Electrical specifications

Rated operating voltage U_e 18 ... 30 V

Nominal voltage 24 V DC

Nominal current 230 mA

Current consumption typ. 30 mA

Surge protection Category II

Interface

Interface type IO-Link

IO-Link revision 1.1

Device ID 0x0F0501 (984321)

Transfer rate COM2 (38.4 kBit/s)

Min. cycle time 2.3 ms

Process data width 16 bits / 2 bytes

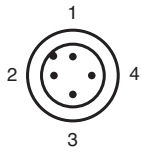
SIO mode support no

Release date: 2024-12-11 Date of issue: 2024-12-11 Filename: 70153267_eng.pdf

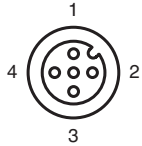
Technical Data

Compatible master port type	A, B
Input	
Number/Type	1 analog input for sensors with analog output
Sensor supply	17 ... 29.8 V DC ≤ 200 mA
Measuring range	Current input or voltage input, configurable: 0 mA...20 mA 4 mA...20 mA 0 V...10 V -10 V...10 V
Accuracy	0.1 % FS at 25 °C
Resolution	ADC: 24 Bit Process data: 16 bit
Sampling rate	max. 200 Hz
Input filter	Average determination of process data, parameterizable
Temperature influence	45 ppm/°K
Directive conformity	
Electromagnetic compatibility	
Directive 2014/30/EU	EN 61000-6-2:2005, EN 61000-6-4:2007+A1:2011
Standard conformity	
Degree of protection	EN 60529:2000
Fieldbus standard	IEC 61131-9 / IO-Link V1.1
Emitted interference	EN 61000-6-4
Noise immunity	EN 61000-4-2, EN 61000-4-3, EN 61000-4-4, EN 61000-4-6
Shock resistance	EN 60068, Part 2-6, Part 2-27
Ambient conditions	
Ambient temperature	-30 ... 70 °C (-22 ... 158 °F)
Storage temperature	-40 ... 85 °C (-40 ... 185 °F)
Relative humidity	max. 85 %
Climatic conditions	Climatic class 3K3
Altitude	0 ... 2000 m
Shock and impact resistance	50 g, 11 ms, all axes
Pollution degree	3
Mechanical specifications	
Degree of protection	IP67
Connection	IO-Link M12, A-coded Input M12, A-coded
Material	
Contacts	Zinc, CuNi plated
Housing	Plastic PC + PBT
Mass	44 g
Dimensions	
Height	32.3 mm
Width	16 mm
Length	79.7 mm
Construction type	Field housing

Connection Assignment



1:	+24 V (L+)
2:	n.c.
3:	GND (L-)
4:	C/Q



1:	+24 V (L+)
2:	AI
3:	GND (L-)
4:	n.c.

Indication

