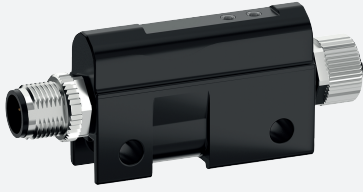


# IO-Link converter

## ICA-AO-I/U-IO-V1

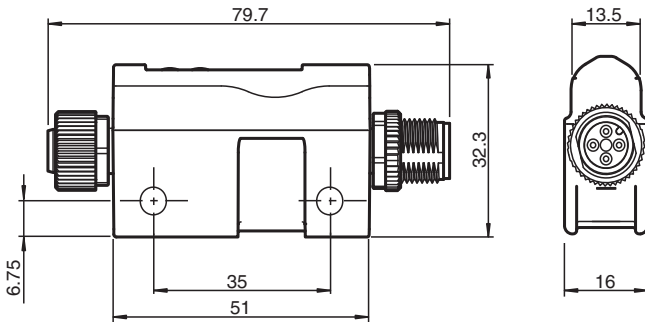


- IO-Link interface
- IP67
- Analog output can be parameterized (current/voltage)
- Current output can be parameterized as 0 ... 20 mA/4 ... 20 mA
- Voltage output can be parameterized as -10 ... 10 V/0 ... 10 V

IO-Link converter with analog output (current/voltage)



### Dimensions



### Technical Data

#### General specifications

UL File Number E223772

#### Functional safety related parameters

MTTF<sub>d</sub> 246 a

#### Indicators/operating means

LED 1 Device status, diagnostics

LED 2 IO-Link status

#### Electrical specifications

Rated operating voltage U<sub>e</sub> 18 ... 30 V

Nominal voltage 24 V DC

Nominal current 230 mA

Current consumption typ. 30 mA

Surge protection Category II

#### Interface

Interface type IO-Link

IO-Link revision 1.1

Device ID 0x0F0502 (984322)

Transfer rate COM2 (38.4 kBit/s)

Min. cycle time 2.3 ms

Process data width 16 bits / 2 bytes

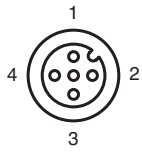
SIO mode support no

Release date: 2024-12-11 Date of issue: 2024-12-11 Filename: 70153268\_eng.pdf

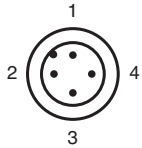
## Technical Data

Compatible master port type	A, B
<b>Output</b>	
Number/Type	1 analog output for actuators with analog input
Resolution	ADC: 24 bit Process data: 16 bit
Accuracy	0.1 % FS at 25 °C
Measuring range	Current output or voltage output, configurable: 0 mA...20 mA 4 mA...20 mA 0 V...10 V -10 V...10 V
Sensor supply	17 ... 29.8 V DC ≤ 200 mA
Output filter	Average determination of process data, parameterizable
Temperature influence	45 ppm/°K
Sampling rate	max. 200 Hz
<b>Directive conformity</b>	
Electromagnetic compatibility	
Directive 2014/30/EU	EN 61000-6-2:2005, EN 61000-6-4:2007+A1:2011
<b>Standard conformity</b>	
Degree of protection	EN 60529:2000
Fieldbus standard	IEC 61131-9 / IO-Link V1.1
Emitted interference	EN 61000-6-4
Noise immunity	EN 61000-4-2, EN 61000-4-3, EN 61000-4-4, EN 61000-4-6
Shock resistance	EN 60068, Part 2-6, Part 2-27
<b>Ambient conditions</b>	
Ambient temperature	-30 ... 70 °C (-22 ... 158 °F)
Storage temperature	-40 ... 85 °C (-40 ... 185 °F)
Relative humidity	max. 85 %
Climatic conditions	Climatic class 3K3
Altitude	0 ... 2000 m
Shock and impact resistance	50 g, 11 ms, all axes
Pollution degree	3
<b>Mechanical specifications</b>	
Degree of protection	IP67
Connection	IO-Link M12, A-coded Input M12, A-coded
<b>Material</b>	
Contacts	Zinc, CuNi plated
Housing	Plastic PC + PBT
Mass	44 g
<b>Dimensions</b>	
Height	32.3 mm
Width	16 mm
Length	79.7 mm
Construction type	Field housing

## Connection Assignment



1:	+24 V (L+)
2:	n.c.
3:	GND (L-)
4:	AO



1:	+24 V (L+)
2:	n.c.
3:	GND (L-)
4:	C/Q

## Indication

