

# Mounting bracket

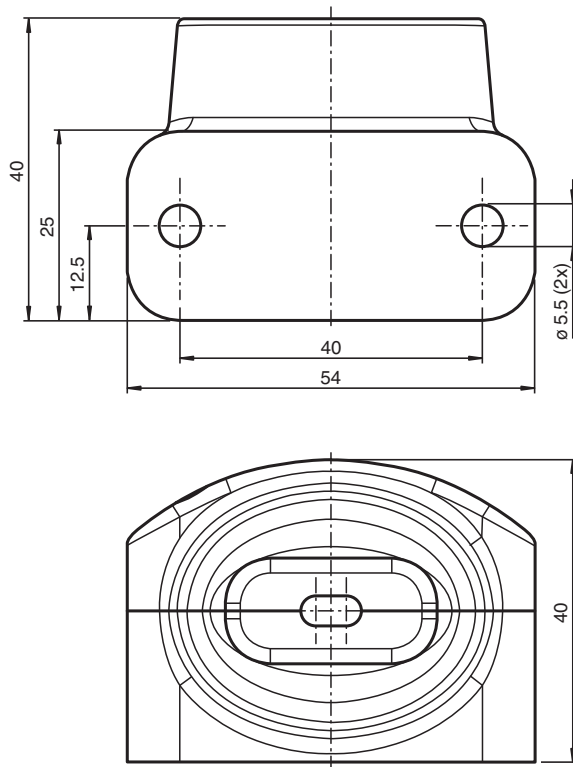
## USI-MH-27X13-H-02



- Screw mounting for simple installation
- Robust construction

Horizontal mounting bracket exclusively for ultrasonic transducers of the USi ultrasonic sensor systems

### Dimensions



### Technical Data

#### Ambient conditions

Ambient temperature	-40 ... 80 °C (-40 ... 176 °F)
Storage temperature	-40 ... 85 °C (-40 ... 185 °F)

Release date: 2024-10-17 Date of issue: 2024-10-17 Filename: 70153322\_eng.pdf

## Technical Data

### Mechanical specifications

Material	
Housing	PA12
Mounting materials	2 x cylinder head screw M5x16 (included with delivery) 2 x cylinder head screw M3x10 (included with delivery)
Tightening torque, fastening screws	for screw M5 : max. 1.5 Nm for screw M3 : max. 0.5 Nm
Dimensions	40 mm x 54 mm x 40 mm
Height	40 mm
Width	54 mm
Length	40 mm

## Commissioning

This component is only intended for use in conjunction with the ultrasonic sensor system USi-safety or USi-industry. Further details, mounting and commissioning instructions can be found in the corresponding documentation on the relevant product page at [www.pepperl-fuchs.com](http://www.pepperl-fuchs.com).