

# Adapter with USB Interface

## K-ADP-USB

- Isolated USB interface cable
- Used with K-, E- and H-System devices
- Used with PACTware

Programming adapter with USB interface

### Function

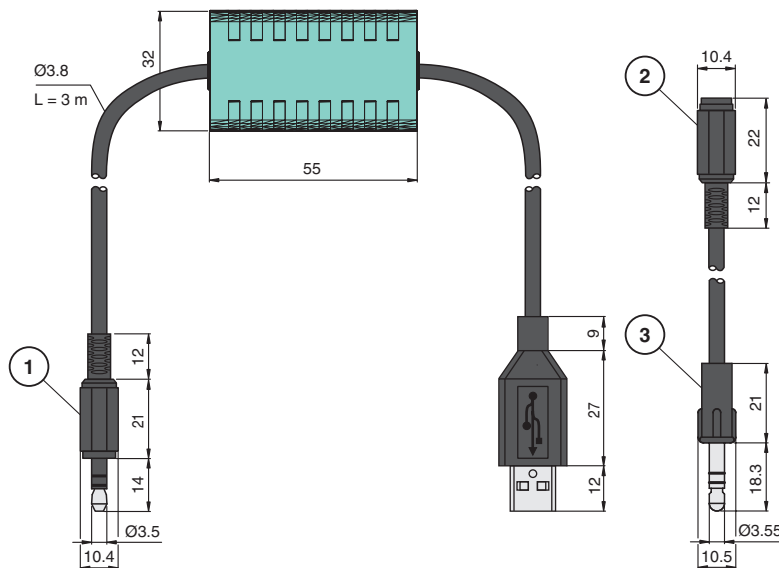
The K-ADP-USB is a programming adapter that connects the USB interface of a PC for the **PACTware** operating software and can be used to program K-, E- and H system devices via the programming socket on the front panel of these devices.

As K-, E- and H-System devices have formerly been equipped with programming sockets with different standard dimensions (3.55 mm x 18.3 mm, see drawing, pos. 3 – newer devices 3.5 mm x 14 mm, pos. 1), an adapter (pos. 2) for the parameterisation of all devices is attached to K-ADP-USB.

The 18.3 mm version can still be used for urgent service assignments. However, the user must be aware of the fact that the plug protrudes from new units by approx. 4 mm. Extensive pushing of the plug may lead to damage on units.

For information about programming and operating software, refer to [www.pepperl-fuchs.com](http://www.pepperl-fuchs.com).

### Dimensions



### Technical Data

#### Electrical specifications

|                     |   |
|---------------------|---|
| Current consumption | 50 mA (via USB)   |
| Galvanic isolation  | functional insulation acc. to IEC 62103, rated insulation voltage 50 V <sub>eff</sub> |

Release date: 2023-03-07 Date of issue: 2023-03-07 Filename: 70154730\_eng.pdf

## Technical Data

### Directive conformity

Electromagnetic compatibility

Directive 2014/30/EU

EN 61000-3-2:2014  
 EN 61000-3-3:2013  
 EN 61000-4-2:2009  
 EN IEC 61000-4-3:2020  
 EN 61000-4-4:2012  
 EN 61000-4-6:2014  
 EN 61000-4-8:2010  
 EN 55032:2015+A11:2020

### Ambient conditions

Ambient temperature

-20 ... 60 °C (-4 ... 140 °F)

### Mechanical specifications

Connection

Device

1 x connector 3.5 mm and 3.55 mm

Computer

1 x Type A USB

Mass

85 g

Cable length

3 m