

# RFID Transponder

## IUC87-F257-T19-M-FR1 10 pcs

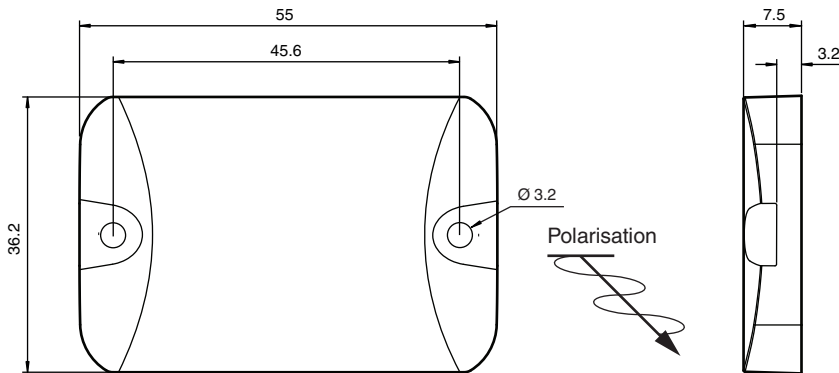


- Operating frequency 865 ... 868 MHz
- Complies with EPC Gen2 (ISO/IEC 18000-63)
- Sturdy housing, suitable for rough industrial use
- Optimized for mounting on metal
- For autoclave applications

Tag for autoclave applications



### Dimensions



### Technical Data

General specifications	
Operating frequency	865 ... 868 MHz
Polarization	linear
Memory	
Chip Type	Higgs-9 (Alien)
Memory Bank 00 (Reserved)	64 Bit
Memory Bank 01 (EPC/UII)	96 ... 496 Bit
Memory Bank 10 (TID)	48 Bit
Memory Bank 11 (User memory)	688 Bit
Read cycles	unlimited
Write cycles	200000
Data retention period	50 years
Directive conformity	
Radio equipment	
Directive 2014/53/EU	EN 302208
RoHS	
Directive 2011/65/EU (RoHS)	IEC/EN 63000

Release date: 2022-11-28 Date of issue: 2022-11-29 Filename: 70155464\_eng.pdf

## Technical Data

### Standard conformity

Degree of protection	EN 60529
RFID	ISO/IEC 18000-63

### Ambient conditions

Ambient temperature	-40 ... 85 °C (-40 ... 185 °F)
Storage temperature	-40 ... 150 °C (-40 ... 302 °F) 150 °C for 600 hours
Shock and impact resistance	1 m (3 ft) on concrete

### Mechanical specifications

Housing length	55 mm
Housing width	36.2 mm
Housing height	7.5 mm
Degree of protection	IP69K
Material	
Housing	Polymer , 316L Stainless steel , Silicone seal
Installation	
On metal	yes
Mass	26 g
Construction type	Rectangular type
Note	Packaging unit, 10-piece

## Mounting

High temperatures will cause the housing to expand.  
If the housing is assembled under mechanical stress, the resulting pressure may damage the tag.  
Install the tag loosely to allow for expansion due to high temperatures.