

Capacitive sensor

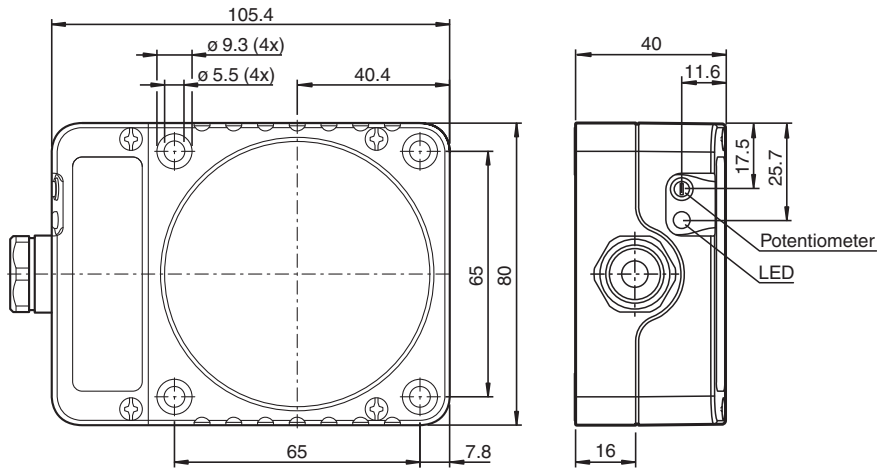
CBN60-FPA-E5-P1A



- Normally open/normally closed mode of operation - programmable wiring
- 60 mm non-flush
- 3-wire DC
- The switching distance can be set over a wide range with the potentiometer



Dimensions



Technical Data

General specifications

Switching function		Normally open/closed (NO/NC) selectable through wiring
Output type		PNP
Rated operating distance	s_n	60 mm
Installation		non-flush
Output polarity		DC
Assured operating distance	s_a	0 ... 48.6 mm
Output type		3-wire

Nominal ratings

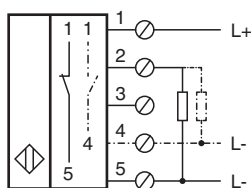
Installation conditions		
B		180 mm
C		180 mm
F		320 mm
Operating voltage	U_B	10 ... 36 V DC
Switching frequency	f	10 Hz
Hysteresis	H	1 ... 15 %
Reverse polarity protection		reverse polarity protected

Release date: 2025-02-12 Date of issue: 2025-02-12 Filename: 70156869_eng.pdf

Technical Data

Short-circuit protection	yes	
Voltage drop	U_d	0 ... 2.5 V
Operating current	I_L	0 ... 250 mA
No-load supply current	I_0	≤ 20 mA
Switching state indicator	LED, yellow	
Indicators/operating means		
Potentiometer	sensitivity adjustment	
Compliance with standards and directives		
Standard conformity		
Standards	EN IEC 60947-5-2	
Ambient conditions		
Ambient temperature	-25 ... 80 °C (-13 ... 176 °F)	
Mechanical specifications		
Connection type	screw terminals	
Information for connection	A maximum of two conductors with the same core cross section may be mounted on one terminal connection! tightening torque 1.2 Nm + 10 %	
Core cross section	up to 2.5 mm ²	
Minimum core cross-section	without wire end ferrules 0.5 mm ² , with connector sleeves 0.34 mm ²	
Maximum core cross-section	without wire end ferrules 2.5 mm ² , with connector sleeves 1.5 mm ²	
Housing material	PPE	
Degree of protection	IP65	
Mass	300 g	
Dimensions		
Height	40 mm	
Width	80 mm	
Length	105 mm	
General information		
Scope of delivery	4 x spring washer 4 x cylinder head screw	

Connection



Installation Conditions

