



## Connection cable

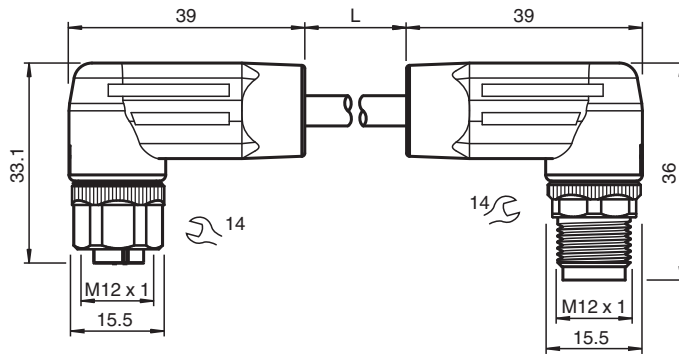
### V15L-W-2M-PUR-U-V15L-W

- Degree of protection IP65 / IP67 / IP69
- Free of paint wetting interfering substances
- UL listed for USA and Canada
- Halogen-free
- 600 V AC rated operational voltage
- Screw connection suitable for tool assembly
- Image is generic for this device type and may deviate from the specific variant

Cordset M12 socket angled to M12 plug angled L-coded, 5-pin, PUR cable grey, UL approved



## Dimensions



## Technical Data

### General specifications

|                   |  |                  |
|-------------------|--|------------------|
| Connector 1       |  |                  |
| Connection        |  | socket           |
| Construction type |  | M12              |
| Style             |  | angled           |
| Locking           |  | screw connection |
| Number of pins    |  | 5                |
| Coding            |  | L-coded          |
| Connector 2       |  |                  |
| Connection        |  | plug             |
| Construction type |  | M12              |
| Style             |  | angled           |
| Locking           |  | screw connection |
| Number of pins    |  | 5                |
| Coding            |  | L-coded          |

### Electrical specifications

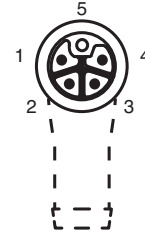
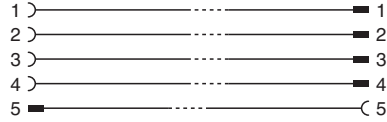
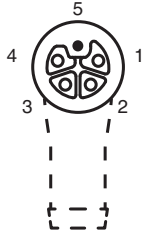
|                         |       |                        |
|-------------------------|-------|------------------------|
| Rated operating voltage | $U_e$ | 600 V AC               |
| Operating voltage       | $U_B$ | max. 48 V AC / 63 V DC |
| Operating current       | $I_B$ | max. 16 A              |

### Conformity

## Technical Data

|                                   |   |   |
|-----------------------------------|---|---|
| Degree of protection              |   | EN 60529  |
| Plug connection                   |   | connector M12 x 1 : IEC 61076-2-111   |
| Flammability                      |   | IEC 60332-1-2   |
| Halogen-free                      |   | DIN VDE 0472-815  |
| Oil resistance                    |   | DIN EN 60811-404  |
| <b>Approvals and certificates</b> |   |   |
| UL approval                       |   | AWM STYLE 20939 80°C 600V VW-1 (cable)  |
| UL File Number                    |   | E520151   |
| <b>Ambient conditions</b>         |   |   |
| Ambient temperature               |   |   |
| Plug connector                    |   | -40 ... 125 °C (-40 ... 257 °F) note derating                                   |
| Cable, fixed                      |   | -40 ... 90 °C (-40 ... 194 °F) UL -40 ... 80 °C (-40 ... 176 °F)                |
| Cable, flexing                    |   | -30 ... 90 °C (-22 ... 194 °F) UL -30 ... 80 °C (-22 ... 176 °F)                |
| Pollution degree                  |   | 3   |
| <b>Mechanical specifications</b>  |   |   |
| Plug connector                    |   |   |
| Tightening torque                 |   | 0.6 Nm  |
| Tool installation                 |   | straight knurling and hexagon nut SW = 14 mm                                    |
| Mating cycles                     |   | min. 100  |
| Degree of protection              |   | IP65/IP67/IP69  |
| Cable                             |   |   |
| Sheath diameter                   |   | 8 mm  |
| Bending radius                    |   | > 7.5 x cable diameter, moving<br>> 4 x cable diameter, fixed                   |
| Sheath color                      |   | grey (similar to RAL 7032)  |
| Number of cores                   |   | 5   |
| Core cross section                |   | 1.5 mm <sup>2</sup>   |
| Coors color                       |   | Core 1: brown<br>Core 2: white<br>Core 3: blue<br>Core 4: black<br>Core 5: pink |
| Length                            | L | 2 m   |
| Cable code                        |   | Li 9Y 11Y 5 x 1,50  |
| <b>Material</b>                   |   |   |
| PWIS free                         |   | yes   |
| Halogen-free                      |   | yes   |
| Plug connector                    |   |   |
| Screw connection                  |   | Zinc diecast, nickel-plated   |
| Body                              |   | TPE, black  |
| Seal                              |   | FKM   |
| Contact surface                   |   | Cu/Au   |
| Flammability                      |   | HB  |
| Cable                             |   |   |
| Sheathing                         |   | PUR   |
| Core insulation                   |   | PP  |
| Oil resistance                    |   | yes   |
| Flammability                      |   | VW-1  |

**Connection**



**Accessories**

|  |                          |                                   |
|--|--------------------------|-----------------------------------|
|  | <p><b>VAZ-V1-B3L</b></p> | <p>Blind plug for M12 sockets</p> |
|--|--------------------------|-----------------------------------|

Release date: 2023-09-05 Date of issue: 2023-09-05 Filename: 70158827\_eng.pdf