



Control Unit Ex e, Polyamide, 4 Functions

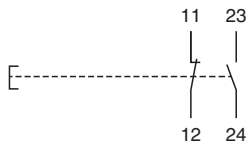
LRP5L.D.LRLX.PGMX.PRMX.E4MX.F1

- LED indicator, red
- Pushbutton green - 1x NO / 1x NC - labeling 'I'
- Pushbutton red - 1x NO / 1x NC - labeling '0'
- Emergency stop mushroom button 40 mm, red, twist-to-release - 1x NO / 1x NC
- Polyamide (PA) enclosure
- Ex db eb and Ex tb certified
- Installation in Zone 1, Zone 2, Zone 21 and Zone 22
- Degree of protection IP66
- Top face stopping plug polyamide, 1x M25; bottom face cable gland polyamide, 1x M25

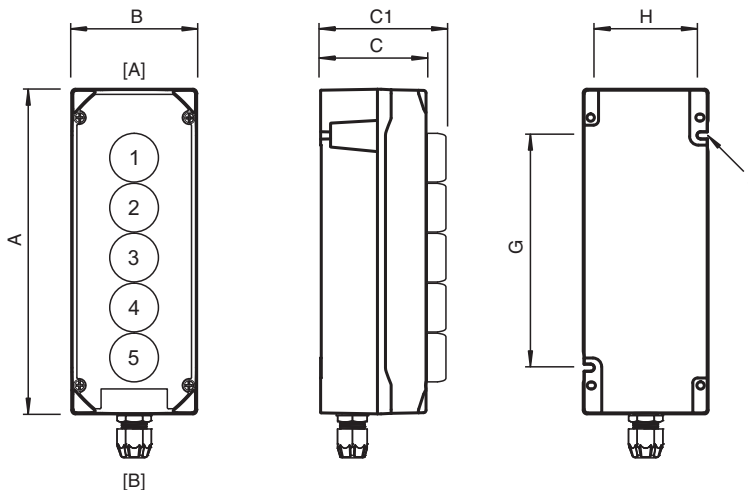


Connection

	11	23
0	X	
I		X
	12	24



Dimensions



Release date: 2023-09-21 Date of issue: 2023-09-21 Filename: 70160124_eng.pdf

Dimensions

Dimension values see data table.

Image and drawing are generic for this device type and may deviate from the specific variant.

Technical Data

Electrical specifications	
Operating voltage	250 V max.
Operating current	6 A max.
Terminal capacity	2.5 mm ²
Terminal torque	0.8 Nm
Function	LED
Color	red
Rated operating voltage	30 ... 250 V AC / 20 ... 24 V DC
Note	
Function 2	push button
Color	green
Contact configuration	1x NO / 1x NC
Usage category	AC12 - 12 ... 250 V AC - 6 A AC15 - 12 ... 250 V AC - 6 A DC13 - 12 ... 110 V DC - 1 A
Number of poles	2
Operator action	spring return
Labeling	I
Note	spare pushbutton inserts included: red 'STOP', red 'OFF', green 'START', green 'ON', black 'I', black 'II', 2x black 'arrow up'
Function 3	push button
Color	red
Contact configuration	1x NO / 1x NC
Usage category	AC12 - 12 ... 250 V AC - 6 A AC15 - 12 ... 250 V AC - 6 A DC13 - 12 ... 110 V DC - 1 A
Number of poles	2
Operator action	spring return
Labeling	O
Function 4	mushroom button
Color	red
Contact configuration	1x NO / 1x NC all NC contacts have a direct opening action for emergency stop functions
Usage category	AC12 - 12 ... 250 V AC - 6 A AC15 - 12 ... 250 V AC - 6 A DC13 - 12 ... 110 V DC - 1 A
Number of poles	2
Operator action	latching , twist to release
Mechanical specifications	
Enclosure range	LRP
Enclosure cover	fully detachable
Cover fixing	
Screws	M4 stainless steel combination Phillips and slotted screw
Number	4
Tightening torque	1.5 Nm
Degree of protection	IP66
Cable entry	thru-holes
Cable entry face A	
M25 quantity	1
M25 series	Stopping Plug
M25 type	SP.PE.M25.*

Release date: 2023-09-21 Date of issue: 2023-09-21 Filename: 70160124_eng.pdf

Technical Data

Cable entry face B	
M25 quantity	1
M25 series	Cable Glands, Plastic
M25 type	CG.PEDS1.M25.*
M25 clamping range	9 ... 17 mm
Defined entry area	face A and face B
Material	
Enclosure	Polyamide (PA)
Finish	inherent color black
Seal	one piece closed cell silicone
Mass	approx. 1.2 kg
Dimensions	
External dimension (A)	260 mm
External dimension (B)	100 mm
External dimension (C)	85 mm
External dimension with operating element (C1)	125.4 mm
Mounting holes distance (G)	186 mm
Mounting holes distance (H)	88 mm
Mounting holes diameter (J)	5.6 mm
Tightening torque	
Nut torque at enclosure (SW1)	see datasheets of cable glands
Mounting	2 screws
Grounding	2x 2.5mm ² grounding terminal
Ambient conditions	
Ambient temperature	-40 ... 55 °C (-40 ... 131 °F) @ T4 -40 ... 40 °C (-40 ... 104 °F) @ T6
Data for application in connection with hazardous areas	
EU-type examination certificate	CML 16 ATEX 3009X
Marking	⊕ II 2 GD Ex db eb IIC T* Gb Ex tb IIIC T** °C Db T4/T130 °C @ Ta +55 °C (T6/T80 °C @ Ta +40 °C on request)
International approvals	
IECEx approval	IECEx CML 16.0008X
UKCA approval	CML 22 UKEX 2550X
Further approvals	further on request
Conformity	
Degree of protection	EN60529
Usage category	IEC / EN 60947
CE marking	0080 or 0102, see type label
General information	
Ordering information	This device will be delivered completely configured and assembled ready for use. For configuration details please contact Customer Service.
Supplementary information	EC-Type Examination Certificate, Statement of Conformity, Declaration of Conformity, Attestation of Conformity and instructions have to be observed where applicable. For information see www.pepperl-fuchs.com .
Accessories	
Optional accessories	engraved traffolyte tag label engraved AISI 316L stainless steel tag label color in-fill stainless steel tag label