



# Industrial Event Camera

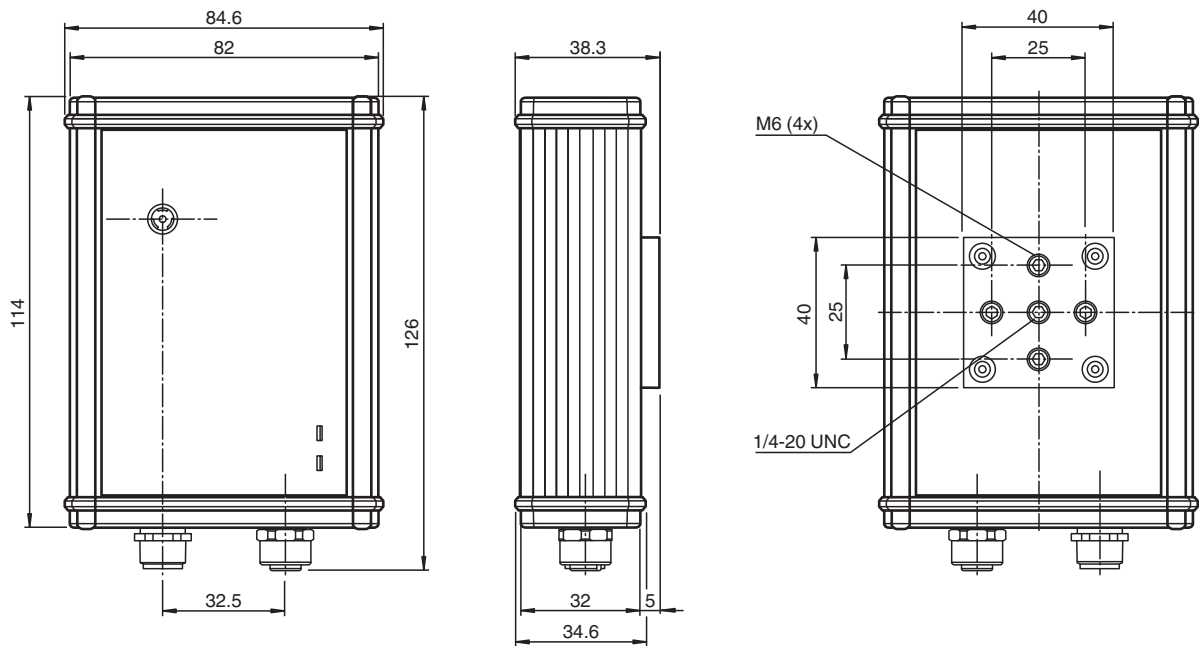
## VOC5M-F256-B12-V1D-CR02

- Web interface for easy access to video files and live streams
- Video ring buffer with a pre-run buffer for automatic recording of video up to 60 seconds before and after a situation that requires fault analysis or documentation
- Trigger video/image capture via UDP, REST API, or a digital hardware input for easy integration
- Find situations of interest quickly due to timestamped events
- REST API for full HMI integration of all camera functions

Event camera for recording video sequences with Livestream function; mounting distance: 0.05 m to infinite; internal video ring buffer with a pre-run buffer for recording an event up to 60 seconds before and after a trigger event; trigger video/image capture via UDP, HTTP REST API, or a digital hardware input



### Dimensions



### Technical Data

#### General specifications

Depth of focus	0.05 m ... infinite
Field of view	see table
Horizontal angle of view	108.4 °
Vertical angle of view	92.2 °
Filter	IR-filter

#### Nominal ratings

Camera	
Type	CMOS

Release date: 2023-06-21 Date of issue: 2023-06-21 Filename: 70160196\_eng.pdf

## Technical Data

Shutter	Rolling shutter	
Image resolution	resolution: 1280 x 720 (HD), 1024 x 576, 960 x 540, 800 x 450, 640 x 360	
<b>Hardware</b>		
Camera	Motorized focus (adjustable via software)	
<b>Memory</b>		
Type/Size	storage capacity of events , up to 10000 events	
Non-volatile memory	8 GByte microSD card, industrial, class 10 U1	
<b>Electrical specifications</b>		
Operating voltage	U <sub>B</sub>	18 ... 28 V DC
Current consumption	max. 200 mA (no heater) max. 700 mA (with heater)	
<b>Interface</b>		
Interface type	10 BASE-T/100 BASE-TX	
Protocol	TCP/IP , HTTP , FTP , RTSP	
Transfer rate	10 MBit/s / 100 MBit/s	
IP address	DHCP activated , Fall back IP (192.168.100.50)	
<b>Input</b>		
Signal voltage		
High	16 ... 32 V DC	
Low	0 ... 5 V DC	
Input current	max. 7 mA	
Trigger input	positive edge	
Pulse duration	min. 20 ms	
Input filter	min. 1.5 ms	
<b>Directive conformity</b>		
Electromagnetic compatibility	EN 61326-1:2013	
Radio equipment		
Directive 2014/53/EU	ETSI EN 300330 V2.1.1	
<b>Playback formats</b>		
Video	<p><b>Video Livestream:</b></p> <ul style="list-style-type: none"> <li>- Codec/Container: MJPEG</li> <li>- frame rate: 24 fps</li> <li>- resolution: 1280 x 720 (HD), 1024 x 576, 960 x 540, 800 x 450, 640 x 360</li> </ul> <p><b>RTSP stream 1:</b></p> <ul style="list-style-type: none"> <li>- Codec/Container: H264/RTSP</li> <li>- frame rate: 3 fps</li> <li>- resolution: 1280 x 720 (HD), 1024 x 576, 960 x 540, 800 x 450, 640 x 360</li> </ul> <p><b>RTSP stream 2:</b></p> <ul style="list-style-type: none"> <li>- Codec/Container: H264/RTSP</li> <li>- frame rate: 3 fps</li> <li>- resolution: 640 x 360</li> </ul> <p><b>Video Recording:</b></p> <ul style="list-style-type: none"> <li>- Codec/Container: H264/MP4, adjustable quality</li> <li>- frame rate: 24 fps</li> <li>- resolution: 1920 x 1080 (Full HD), 1280 x 720 (HD), 1024 x 576, 960 x 540, 800 x 450, 640 x 360</li> </ul>	
<b>Ambient conditions</b>		
Operating temperature	-30 ... 50 °C (-22 ... 122 °F)	
Storage temperature	-30 ... 50 °C (-22 ... 122 °F)	
Relative humidity	non-condensing	
<b>Mechanical specifications</b>		
Housing width	85 mm	
Housing height	114 mm	
Housing depth	35 mm	
Degree of protection	IP65	
Connection	M12 x 1 connector, 4-pin, A-coded , unshielded (supply and digital input) M12 x 1 socket, 4-pin, D-coded , screened (Ethernet)	
Material		
Housing	Aluminum (AlMgSi0.5)	
Surface	black , powder coated	

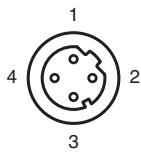
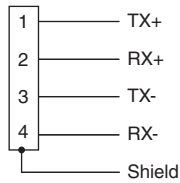
Release date: 2023-06-21 Date of issue: 2023-06-21 Filename: 70160196\_eng.pdf

## Technical Data

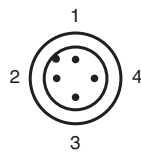
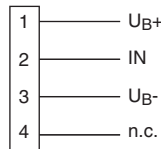
Observation window	glass, fully bonded
Mass	0.3 kg
Mounting	4x M6 1x ¼-20 UNC

## Connection

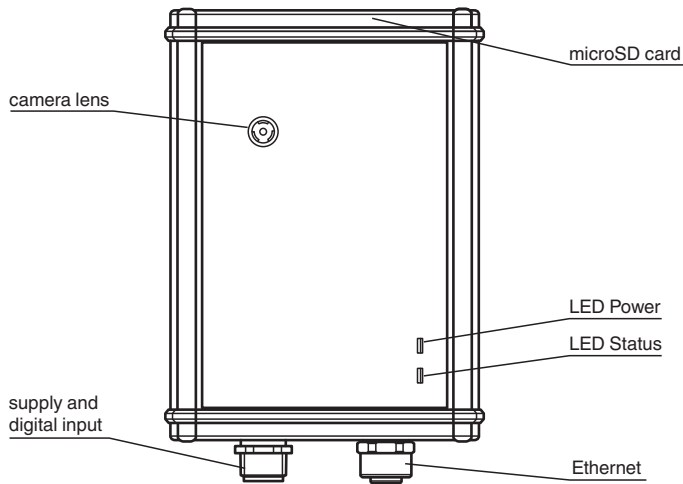
### Ethernet



### supply and digital Input



## Assembly




## Parameterization

### Size of the Field of View



Distance	Orientation 0° / 180°	Orientation 90° / 270°
0.5 m	1.4 m x 0.8 m	1.0 m x 0.6 m
1.0 m	2.8 m x 1.6 m	2.1 m x 1.2 m
2.5 m	6.9 m x 3.9 m	5.2 m x 2.9 m
5.0 m	13.9 m x 7.8 m	10.4 m x 5.8 m

## Accessories

	<b>V1SD-G-GN2M-PUR-E1S-V45-G</b>	Ethernet bus cable M12 plug straight D-coded to RJ45 Ethernet-coded, 4-pin, PUR cable green, Cat5e, shielded, drag chain suitable
---	----------------------------------	---

Release date: 2023-06-21 Date of issue: 2023-06-21 Filename: 70160196\_eng.pdf

**Accessories**

	<b>V1-G-2M-PUR</b>	Female cordset single-ended M12 straight A-coded, 4-pin, PUR cable grey
	<b>PCV-MB1</b>	Mounting bracket for PCV* read head