



Adapter cable

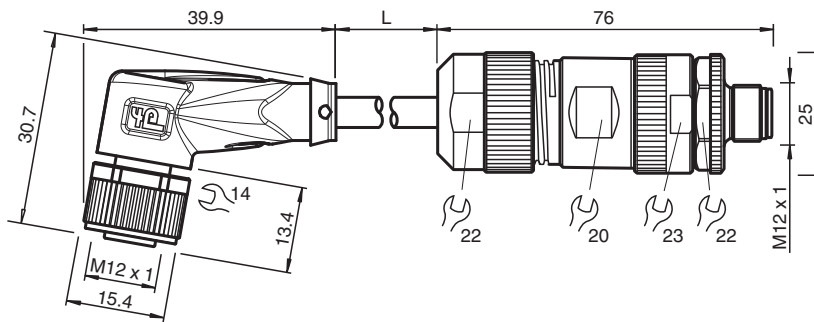
V1-W-0,8M-PUR-U/0,75-V15L-G-Y1

- Suitable for drag chains and abrasion resistant
- Degree of protection IP68 / IP69
- Resistant to microbes and hydrolysis
- UV resistant
- UL listed for USA and Canada
- Halogen-free
- Specific design protects against loosening and inaccurate installation
- Customer-specific configuration

Adapter cable M12 socket angled A-coded 4-pin to M12 plug straight L-coded 5-pin, PUR cable black, UL approved, drag chain suitable



Dimensions



Technical Data

General specifications

Customization	customer-specific pin assignment	
Connector 1		
Connection	plug	
Construction type	M12	
Style	angled	
Locking	screw connection	
Number of pins	4	
Coding	A-coded	
Connector 2		
Connection	plug	
Construction type	M12	
Style	straight	
Locking	screw connection	
Number of pins	5	
Coding	L-coded	

Electrical specifications

Operating voltage	U_B	max. 48 V AC / 60 V DC
Operating current	I_B	max. 4 A

Conformity

Degree of protection	EN 60529
----------------------	----------

Release date: 2023-12-08 Date of issue: 2023-12-08 Filename: 70161762_eng.pdf

Technical Data

Plug connection		connector M12 x 1 : IEC 61076-2-101
Halogen-free		IEC 60754-1
Approvals and certificates		
UL approval		AWM STYLE 20549 AWM I/II A/B 80°C 300V FT2 (cable)
UL File Number		E231213
Ambient conditions		
Ambient temperature		
Connector 1		-40 ... 90 °C (-40 ... 194 °F)
Connector 2		-40 ... 105 °C (-40 ... 221 °F)
Cable, fixed		-40 ... 80 °C (-40 ... 176 °F)
Cable, flexing		-20 ... 80 °C (-4 ... 176 °F)
Pollution degree		3
Mechanical specifications		
Connector 1		
Tightening torque		0.6 Nm
Loosening protection		available
Tool installation		straight knurling and hexagon nut SW = 14 mm
Mating cycles		min. 100
Degree of protection		IP68 / IP69
Connector 2		
Tightening torque		0.6 Nm
Tool installation		straight knurling and hexagon nut SW = 22 mm
Mating cycles		min. 100
Degree of protection		IP67
Cable		
		according to IEC/EN 60228 (DIN VDE 0295) class 6
Sheath diameter		6 mm
Bending radius		> 10 x cable diameter, moving > 5 x cable diameter, fixed
Sheath stripping force		max. 50 N / 300 mm
Sheath color		black (similar to RAL 9005)
Number of cores		5
Core cross section		0.75 mm ²
Cores color		Core 1: brown Core 2: not used Core 3: blue Core 4: not used Core 5: not used
Core construction		42 x 0.15 mm Ø
Length	L	0.8 m
Cable code		Li F 9Y 11Y 5 x 0,75
Drag chain suitability		
Drag chain cycles		min. 2000000
Motion velocity		max. 3.3 m/s
Traverse distance		max. 5 m
Acceleration		max. 5 m/s ²
Torsional stress		± 180 °/m
Material		
Halogen-free		yes
Connector 1		
Screw connection		Zinc diecast, nickel-plated
Body		TPU, black
Contact surface		gold plated (Au)
Flammability		V-2
Connector 2		
Screw connection		CuZn, nickel-plated

Release date: 2023-12-08 Date of issue: 2023-12-08 Filename: 70161762_eng.pdf

Technical Data

Body	PA, black
Contact surface	gold plated (Au)
Flammability	V-0
Cable	
Sheathing	PUR based on polyether
Core insulation	PP
UV resistance	yes
Oil resistance	yes
Microbial resistance	yes
Hydrolysis resistance	yes
Flammability	FT2

Connection Assignment

