

# Connection cable, Ethernet

## V1SD-G-GN1,2M-PUR-E2S-V1D-W

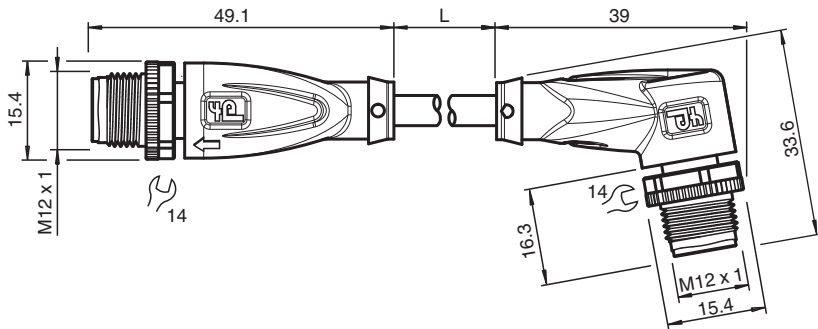


- Hard-wearing PUR cable
- Suitable for drag chains and abrasion resistant
- D coding for Ethernet
- CAT5/CAT5e cable
- Degree of protection IP68 / IP69
- Free of paint wetting interfering substances
- UV resistant
- UL listed for USA and Canada
- Halogen-free
- Specific design protects against loosening and inaccurate installation

Ethernet bus cable M12 plug straight to M12 plug angled D-coded, 4-pin, PUR cable green, Cat5e, shielded, UL approved



### Dimensions



### Technical Data

#### General specifications

|                   |  |                  |
|-------------------|--|------------------|
| Connector 1       |  |                  |
| Connection        |  | plug             |
| Construction type |  | M12              |
| Style             |  | straight         |
| Locking           |  | screw connection |
| Number of pins    |  | 4                |
| Coding            |  | D-coded          |
| Connector 2       |  |                  |
| Connection        |  | plug             |
| Construction type |  | M12              |
| Style             |  | angled           |
| Locking           |  | screw connection |
| Number of pins    |  | 4                |
| Coding            |  | D-coded          |

#### Electrical specifications

|                   |       |                  |
|-------------------|-------|------------------|
| Operating voltage | $U_B$ | max. 250 V AC/DC |
| Operating current | $I_B$ | max. 4 A         |

#### Conformity

Release date: 2025-02-26 Date of issue: 2025-02-26 Filename: 70161763\_eng.pdf

## Technical Data

|                                   |   |       |
|-----------------------------------|---|-------|
| Degree of protection              | EN 60529  |       |
| Plug connection                   | connector M12 x 1 : IEC 61076-2-101   |       |
| Component category                | CAT5 (IEC 11801) , CAT5e (IEC 61156-6)  |       |
| Flammability                      | IEC 60332-1-2 / UL 1581 / ISO 6722-1 5.22 (UN ECE-R 118.01)                             |       |
| Halogen-free                      | IEC 60754-1   |       |
| Chemical resistance               | DIN EN 60811-2-1  |       |
| UV resistance                     | UL 1581 section 1200  |       |
| Microbial resistance              | DIN EN 50525-2-21 / DIN VDE 0282-10   |       |
| Oil resistance                    | DIN EN 60811-2-1  |       |
| <b>Approvals and certificates</b> |   |       |
| UL approval                       | AWM STYLE 21161 AWM I/II A/B 80°C 300V FT1 (cable)                                      |       |
| UL File Number                    | E231213   |       |
| <b>Ambient conditions</b>         |   |       |
| Ambient temperature               |   |       |
| Plug connector                    | -40 ... 90 °C (-40 ... 194 °F)  |       |
| Cable, fixed installation         | -40 ... 80 °C (-40 ... 176 °F)  |       |
| Cable, flexing                    | -30 ... 70 °C (-22 ... 158 °F)  |       |
| <b>Mechanical specifications</b>  |   |       |
| Plug connector                    |   |       |
| Tightening torque                 | 0.6 Nm  |       |
| Loosening protection              | integrated  |       |
| Tool installation                 | straight knurling and hexagon nut SW = 14 mm  |       |
| Mating cycles                     | min. 100  |       |
| Shielding                         | shield connected to screw connection  |       |
| Degree of protection              | IP68 / IP69   |       |
| Cable                             | according to IEC/EN 60228 (DIN VDE 0295) class 5  |       |
| Sheath diameter                   | 4.9 mm  |       |
| Bending radius                    | > 12 x cable diameter, movable installation<br>> 6 x cable diameter, fixed installation |       |
| Sheath stripping force            | max. 50 N / 100 mm  |       |
| Sheath color                      | green (similar to RAL 6018)   |       |
| Number of cores                   | 4   |       |
| Core cross section                | 0.15 mm <sup>2</sup> / 26 AWG   |       |
| Cores color                       | Core 1: white/orange<br>Core 2: white/green<br>Core 3: orange<br>Core 4: green          |       |
| Core construction                 | 19 x 0.1 mm Ø<br>twisted quad   |       |
| Shield                            | aluminum-lined polyester foil<br>Tinned copper braiding, 85 % coverage                  |       |
| Length                            | L   | 1.2 m |
| Cable code                        | Li 9Y 11YM 4 x 0,15   |       |
| Drag chain suitability            |   |       |
| Drag chain cycles                 | max. 1000000  |       |
| Motion velocity                   | max. 3 m/s  |       |
| Traverse distance                 | max. 4.5 m  |       |
| Acceleration                      | max. 3 m/s <sup>2</sup>   |       |
| Mass                              | 65.57 g   |       |
| <b>Material</b>                   |   |       |
| PWIS free                         | yes   |       |
| Halogen-free                      | yes   |       |
| Plug connector                    |   |       |
| Screw connection                  | Zinc diecast, nickel-plated   |       |
| Body                              | TPU, black  |       |

Release date: 2025-02-26 Date of issue: 2025-02-26 Filename: 70161763\_eng.pdf

### Technical Data

|                      |                                      |
|----------------------|--------------------------------------|
| Contact surface      | Au                                   |
| Flammability         | V-2                                  |
| Cable                |                                      |
| Sheathing            | PUR based on polyether               |
| Cores                | bare copper (Cu)                     |
| Core insulation      | PP                                   |
| UV resistance        | yes                                  |
| Oil resistance       | yes                                  |
| Microbial resistance | yes                                  |
| Flammability         | FT1<br>complies with UN ECE-R 118.01 |

### Connection

