

## RFID antenna

### IUA-F860-FR2

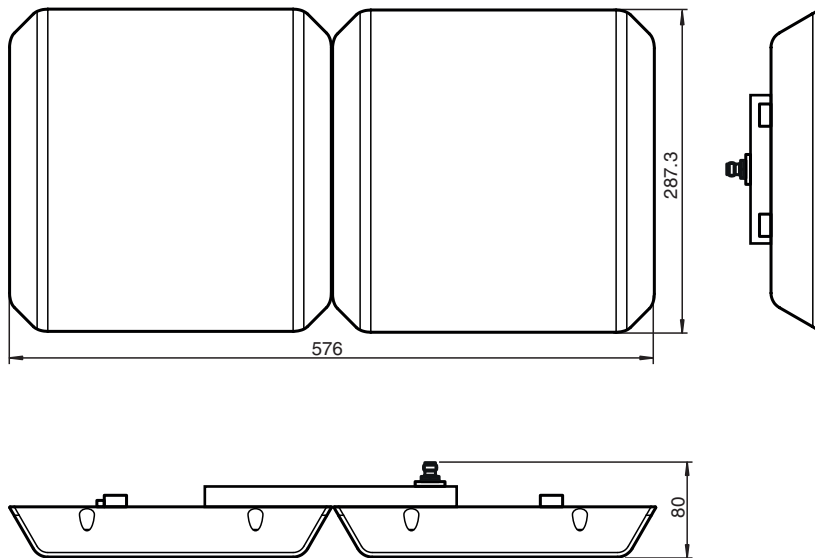


- Circular antenna polarization ensures reliable transponder detection and improves process flow
- Sturdy housing, suitable for rough industrial use
- Degree of protection IP67

UHF RFID antenna, 30° x 65° circular



### Dimensions



### Technical Data

#### General specifications

Performance characteristics	Gain: 11 dBic
Operating frequency	902 ... 928 MHz
Polarization	circular
Opening angle	30 ° x 65 °
Voltage standing-wave ratio (VSWR)	< 1.25:1

#### Directive conformity

RoHS	
Directive 2011/65/EU (RoHS)	IEC/EN 63000



#### Standard conformity

Release date: 2023-08-23 Date of issue: 2023-08-23 Filename: 70161902\_eng.pdf

## Technical Data

Degree of protection	EN 60529
<b>Ambient conditions</b>	
Ambient temperature	-25 ... 55 °C (-13 ... 131 °F)
Storage temperature	-25 ... 80 °C (-13 ... 176 °F)
Climatic conditions	Air humidity 0 ... 95 % , noncondensing
Shock and impact resistance	Vibration (sine): 1 g, 10–150 Hz according to EN 60068-2-6 Shock (half-sine): 30 g according to EN 60068-2-27
<b>Mechanical specifications</b>	
Housing length	80 mm
Housing width	576 mm
Housing height	288 mm
Degree of protection	IP67
Connection	TNC socket, 50 Ω
Material	
Housing	PC, aluminum
Mass	approx. 3850 g

## Accessories

	<b>IUZ-MH100</b>	Mounting aid
	<b>IUK-SMA-*M-LL240F-FRNC-TNC</b>	Adapter cable SMA plug straight to TNC plug straight, FRNC coaxial cable black, UV resistant