

# Y-Splitter

V1S-T-V1-Y70163306

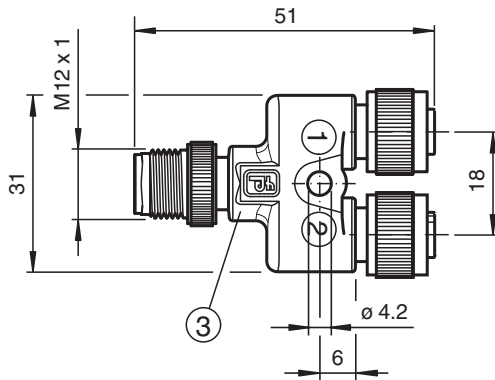


- Easy merging of two signals at a single M12 slot
- Suitable for normally open contacts or 1 signal from antivalent sensors
- Degree of protection IP67
- Free of paint wetting interfering substances
- Knurled nut suitable for tool assembly
- Immunity to vibration, with mechanical latching

Y-Splitter M12 plug 4-pin to 2x M12 socket 3-pin A-coded



## Dimensions



## Technical Data

### General specifications

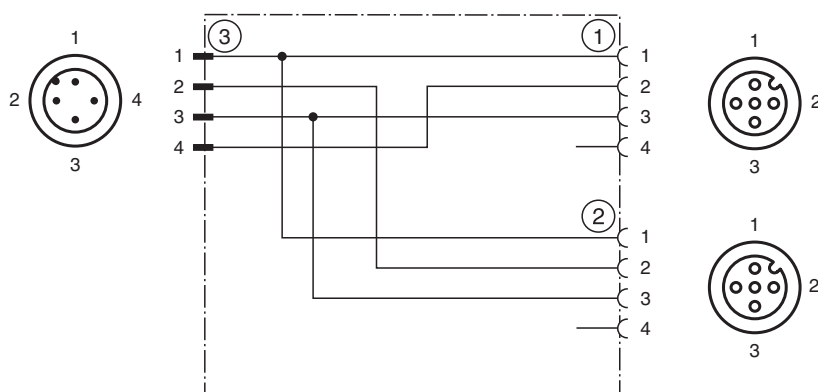
Connector 1	
Connection	socket
Construction type	M12
Style	straight
Locking	screw connection
Number of pins	3
Coding	A-coded
Connector 2	
Connection	socket
Construction type	M12
Style	straight
Locking	screw connection
Number of pins	3
Coding	A-coded
Connector 3	
Connection	plug

Release date: 2023-06-13 Date of issue: 2023-06-13 Filename: 70163306\_eng.pdf

## Technical Data

Construction type	M12	
Style	straight	
Locking	screw connection	
Number of pins	4	
Coding	A-coded	
<b>Electrical specifications</b>		
Operating voltage	$U_B$	max. 48 V AC / 60 V DC
Operating current	$I_B$	4 A
<b>Conformity</b>		
Degree of protection	EN 60529	
Plug connection	connector M12 x 1 : IEC 61076-2-101	
Flammability	UL 94 , UL 758 / 1581	
<b>Approvals and certificates</b>		
UL approval	UL Recognized General purpose	
Maximum permissible operating voltage	max. 60 V	
Maximum permissible ambient temperature	max. 80 °C (max. 176 °F)	
UL File Number	E231213	
<b>Ambient conditions</b>		
Ambient temperature	-40 ... 90 °C (-40 ... 194 °F)	
Pollution degree	3	
<b>Mechanical specifications</b>		
Plug connector		
Tightening torque	0.6 Nm	
Loosening protection	available	
Tool installation	straight knurling	
Mating cycles	min. 100	
Degree of protection	IP67	
Mounting	Mounting hole for M4 screw	
<b>Material</b>		
Plug connector		
Screw connection	Zinc diecast, nickel-plated	
Body	TPU	
Contact surface	gold plated (Au)	
Flammability	V-2	

## Connection Assignment



**Accessories****MH V1-SCREWDRIVER**

Torque screwdriver (0.6 Nm)

**MH V1-BIT M12**

plug-in cap M12