

## Control Unit Ex e, Polyamide, Emergency Stop

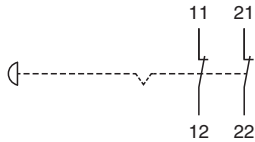
LRP1.D.E4CZAR.K.1

- Emergency stop mushroom button 40 mm, red, twist-to-release - 2x NC
- Polyamide (PA) enclosure
- Ex db eb and Ex tb certified
- Installation in Zone 1, Zone 2, Zone 21 and Zone 22
- Degree of protection IP66
- Protective lid, padlockable
- Bottom face stopping plug polyamide, 1x M20

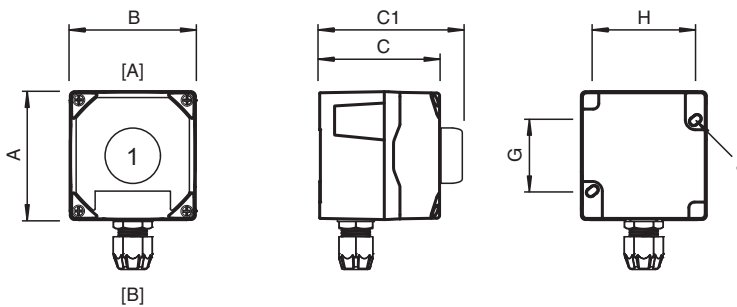


### Connection

|   |    |    |
|---|----|----|
|   | 11 | 23 |
| 0 | X  | X  |
| I |    |    |
|   | 12 | 24 |



### Dimensions



Dimension values see data table.

Image and drawing are generic for this device type and may deviate from the specific variant.

## Technical Data

| <b>Electrical specifications</b>                               |  |
|--|--|
| Operating voltage  | 250 V max.   |
| Operating current  | 13 A max.  |
| Terminal capacity  | 2.5 mm <sup>2</sup>  |
| Terminal torque  | 0.8 Nm   |
| Function   | mushroom button  |
| Color  | red  |
| Shroud   | plastic lid  |
| Contact configuration  | 2x NC<br>all NC contacts have a direct opening action for emergency stop functions             |
| Usage category   | AC12 - 12 ... 250 V AC - 13 A<br>AC15 - 12 ... 250 V AC - 10 A<br>DC13 - 12 ... 110 V DC - 1 A |
| Number of poles  | 2  |
| Operator action  | latching , twist to release  |
| Labeling   | none as standard   |
| <b>Mechanical specifications</b>                               |  |
| Enclosure range  | LRP  |
| Enclosure cover  | fully detachable   |
| Cover fixing   |  |
| Screws   | M4 stainless steel combination Phillips and slotted screw                                      |
| Number   | 4  |
| Tightening torque  | 1.5 Nm   |
| Degree of protection   | IP66   |
| Cable entry  | thru-holes   |
| Cable entry face B   |  |
| M20 quantity   | 1  |
| M20 series   | Stopping Plug 1x plastic   |
| M20 type   | SP.PE.M20.*  |
| Defined entry area   | face B   |
| Material   |  |
| Enclosure  | Polyamide (PA)   |
| Finish   | inherent color black   |
| Seal   | one piece closed cell silicone   |
| Mass   | approx. 0.53 kg  |
| Dimensions   |  |
| External dimension (A)   | 90 mm  |
| External dimension (B)   | 88 mm  |
| External dimension (C)   | 85 mm  |
| External dimension with operating element (C1)                 | 134.5 mm   |
| Mounting holes distance (G)                                    | 50 mm  |
| Mounting holes distance (H)                                    | 72.5 mm  |
| Mounting holes diameter (J)                                    | 5.6 mm   |
| Tightening torque  |  |
| Nut torque at enclosure (SW1)                                  | see datasheets of cable glands   |
| Mounting   | 2 screws   |
| Grounding  | 2x 2.5mm <sup>2</sup> grounding terminal   |
| <b>Ambient conditions</b>                                      |  |
| Ambient temperature  | -40 ... 55 °C (-40 ... 131 °F) @ T4<br>-40 ... 40 °C (-40 ... 104 °F) @ T6                     |
| <b>Data for application in connection with hazardous areas</b> |  |
| EU-type examination certificate                                | CML 16 ATEX 3009X  |

## Technical Data

|                                |  |
|--------------------------------|--|
| Marking                        | Ⓜ II 2 GD<br>Ex db eb IIC T* Gb<br>Ex tb IIIC T** °C Db<br>T4/T130 °C @ Ta +55 °C<br>( T6/T80 °C @ Ta +40 °C on request )  |
| <b>International approvals</b> |  |
| IECEX approval                 | IECEX CML 16.0008X   |
| UKCA approval                  | CML 22 UKEX 2550X  |
| Further approvals              | further on request   |
| <b>Conformity</b>              |  |
| Degree of protection           | EN60529  |
| Usage category                 | IEC / EN 60947   |
| CE marking                     | 0080 or 0102, see type label   |
| <b>General information</b>     |  |
| Ordering information           | This device will be delivered completely configured and assembled ready for use. For configuration details please contact Customer Service.  |
| Supplementary information      | EC-Type Examination Certificate, Statement of Conformity, Declaration of Conformity, Attestation of Conformity and instructions have to be observed where applicable. For information see <a href="http://www.pepperl-fuchs.com">www.pepperl-fuchs.com</a> . |
| <b>Accessories</b>             |  |
| Optional accessories           | engraved traffolyte tag label<br>engraved AISI 316L stainless steel tag label<br>color in-fill stainless steel tag label   |