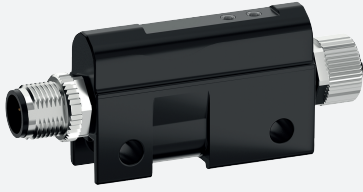


IO-Link converter

ICA-AI-RTD-IO-V1

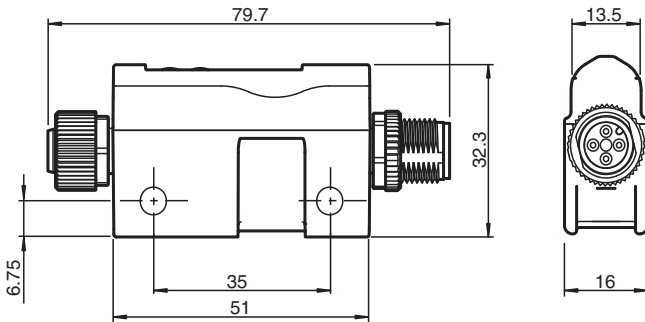


- IO-Link interface
- IP67
- Analog input for RTD resistance temperature sensors
- Galvanically isolated measurement input
- For PT100, PT200, PT500, PT1000 sensors
- Interference frequency filter 50/60 Hz

IO-Link converter with temperature input for RTD resistance temperature sensors



Dimensions



Technical Data

General specifications

UL File Number E223772

Functional safety related parameters

MTTF_d 246 a

Indicators/operating means

LED 1 Device status, diagnostics

LED 2 IO-Link status

Electrical specifications

Rated operating voltage U_e 18 ... 30 V

Nominal voltage 24 V DC

Nominal current 230 mA

Current consumption max. 15 mA

Surge protection Category II

Interface

Interface type IO-Link

IO-Link revision 1.1

Device ID 0x0F0503 (984323)

Transfer rate COM2 (38.4 kBit/s)

Min. cycle time ≥ 10 ms

Process data width 16 bits / 2 bytes

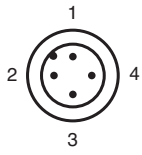
SIO mode support no

Release date: 2024-12-11 Date of issue: 2024-12-11 Filename: 70163607_eng.pdf

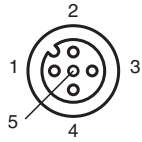
Technical Data

Compatible master port type	A, B
Input	
Suitable sensors	PT100, PT200, PT500, PT1000
Number/Type	1 analog input for RTD
Current loading capacity	max. 200 mA
Lead resistance	max. 50 Ω per conductor
Resolution	ADC: 24 Bit
Input filter	Average determination of process data, parameterizable
Temperature influence	20 ppm/°K
Directive conformity	
Electromagnetic compatibility	
Directive 2014/30/EU	EN 61000-6-2:2005, EN 61000-6-4:2007+A1:2011
Standard conformity	
Degree of protection	EN 60529:2000
Fieldbus standard	IEC 61131-9 / IO-Link V1.1
Emitted interference	EN 61000-6-4
Noise immunity	EN 61000-4-2, EN 61000-4-3, EN 61000-4-4, EN 61000-4-6
Shock resistance	EN 60068, Part 2-6, Part 2-27
Ambient conditions	
Ambient temperature	-30 ... 70 °C (-22 ... 158 °F)
Storage temperature	-40 ... 85 °C (-40 ... 185 °F)
Relative humidity	max. 85 %
Climatic conditions	Climatic class 3K3
Altitude	0 ... 2000 m
Shock and impact resistance	50 g, 11 ms, all axes
Pollution degree	3
Mechanical specifications	
Degree of protection	IP67
Connection	IO-Link M12, A-coded Input M12, A-coded
Material	
Contacts	Zinc, CuNi plated
Housing	Plastic PC + PBT
Mass	44 g
Dimensions	
Height	32.3 mm
Width	16 mm
Length	79.7 mm
Construction type	Field housing

Connection Assignment



1:	+24 V (L+)
2:	n.c.
3:	GND (L-)
4:	C/Q



1:	RD 1
2:	RD 2
3:	WH 1
4:	WH 2
5:	n.c.

Indication

