

Cable socket, shielded

V1-W-BK2M-PUR-U/ABG0

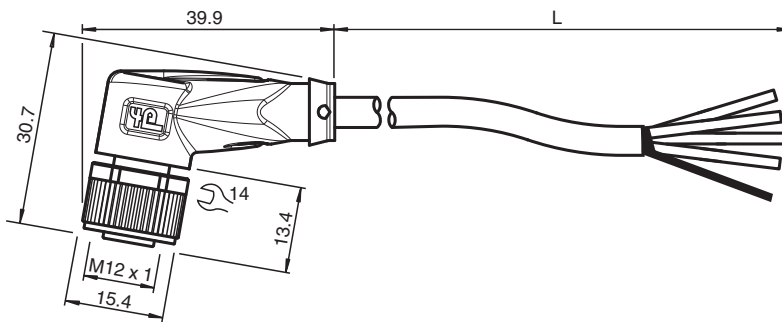


- Suitable for drag chains and abrasion resistant
- Degree of protection IP68 / IP69
- Resistant to microbes and hydrolysis
- UV resistant
- UL listed for USA and Canada
- Halogen-free
- Shield not connected to screw connection
- Specific design protects against loosening and inaccurate installation

Female cordset single-ended M12 angled A-coded, 4-pin, PUR cable black, shielded, UL approved, drag chain suitable



Dimensions



Technical Data

General specifications

| | |
|-------------------|------------------|
| Connector 1 | |
| Connection | socket |
| Construction type | M12 |
| Style | angled |
| Locking | screw connection |
| Number of pins | 4 |
| Coding | A-coded |
| Connector 2 | |
| Connection | cable end |

Electrical specifications

| | | |
|-------------------|-------|------------------|
| Operating voltage | U_B | max. 250 V AC/DC |
| Operating current | I_B | max. 4 A |

Conformity

| | |
|-----------------------|-------------------------------------|
| Degree of protection | EN 60529 |
| Plug connection | connector M12 x 1 : IEC 61076-2-101 |
| Flammability | UL 1581; DIN EN 60332-2-2 |
| Halogen-free | DIN VDE 0472-815 |
| Microbial resistance | EN 50363 |
| Hydrolysis resistance | EN 50363 |

Approvals and certificates

Release date: 2024-09-10 Date of issue: 2024-09-10 Filename: 70164217_eng.pdf

Technical Data

| | | |
|----------------------------------|---|---|
| UL approval | | AWM STYLE 20549/10493 80°C 300V FT2 (cable) |
| UL File Number | | E231213 |
| Ambient conditions | | |
| Ambient temperature | | |
| Plug connector | | -40 ... 90 °C (-40 ... 194 °F) |
| Cable, fixed | | -40 ... 80 °C (-40 ... 176 °F) |
| Cable, flexing | | -25 ... 80 °C (-13 ... 176 °F) |
| Pollution degree | | 3 |
| Mechanical specifications | | |
| Plug connector | | |
| Tightening torque | | 0.6 Nm |
| Loosening protection | | available |
| Tool installation | | straight knurling and hexagon nut SW = 14 mm |
| Mating cycles | | min. 100 |
| Shielding | | shield not connected to connector |
| Degree of protection | | IP68 / IP69 |
| Cable | | according to IEC/EN 60228 (DIN VDE 0295) class 6 |
| Sheath diameter | | 4.9 mm |
| Bending radius | | > 10 x cable diameter, moving > 5 x cable diameter, fixed |
| Sheath stripping force | | max. 60 N / 100 mm |
| Sheath color | | black (similar to RAL 9005) |
| Number of cores | | 4 |
| Core cross section | | 0.34 mm ² |
| Cores color | | Core 1: brown Core 2: white Core 3: blue Core 4: black |
| Core construction | | 42 x 0.1 mm Ø |
| Shield | | tinned copper braiding, 85 % coverage |
| Length | L | 2 m |
| Cable code | | Li F 9Y C11Y 4 x 0,34 |
| Drag chain suitability | | |
| Drag chain cycles | | min. 2000000 |
| Motion velocity | | max. 3 m/s |
| Traverse distance | | max. 5 m |
| Acceleration | | max. 5 m/s ² |
| Mass | | 86.57 g |
| Material | | |
| Halogen-free | | yes |
| Plug connector | | |
| Screw connection | | Zinc diecast, nickel-plated |
| Body | | TPU, black |
| Seal | | FKM |
| Contact surface | | gold plated (Au) |
| Flammability | | V-2 |
| Cable | | |
| Sheathing | | PUR based on polyether |
| Core insulation | | PP |
| UV resistance | | yes |
| Chemical resistance | | good |
| Oil resistance | | yes |
| Cooling lubricant resistance | | yes |
| Microbial resistance | | yes |

Release date: 2024-09-10 Date of issue: 2024-09-10 Filename: 70164217_eng.pdf

Technical Data

| | |
|-----------------------|-----|
| Hydrolysis resistance | yes |
| Flammability | FT2 |

Connection Assignment

