

# Inductive power clamp sensor

## NBxx-F58A3x3-E8-V1

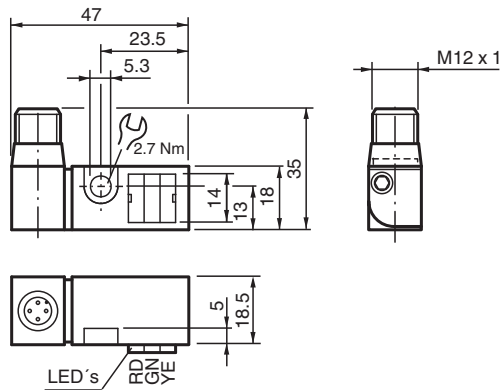


- Technical data are only valid if satellite unit is connected
- Completely halogen and silicon free
- M12 plug with safety screw assembly adjustable in 45° grid
- Orientation of the coding of the connector plug to position 3
- Extremely bright triple luminous band indication

Amplifier unit



### Dimensions



### Technical Data

General specifications			
Switching function			2 x normally open (NO)
Output type			PNP
Output polarity			DC
Output type			4-wire
Nominal ratings			
Operating voltage	$U_B$		10 ... 30 V
Switching frequency	$f$		0 ... 1500 Hz
Reverse polarity protection			reverse polarity protected
Short-circuit protection			pulsing
Voltage drop	$U_d$		$\leq 3$ V
Rated insulation voltage	$U_{BIS}$		60 V
Operating current	$I_L$		0 ... 100 mA
Off-state current	$I_r$		0 ... 0.5 mA typ. 0.1 $\mu$ A at 25 °C
No-load supply current	$I_0$		$\leq 16$ mA
Constant magnetic field	B		300 mT
Alternating magnetic field	B		300 mT
Operating voltage indicator			LED green
Switching state indicator			Switching state "closed" = LED red (S2) switching state "open" = LED yellow (S1)

Release date: 2025-05-21 Date of issue: 2025-05-21 Filename: 70164254\_eng.pdf

## Technical Data

### Functional safety related parameters

MTTF <sub>d</sub>	950 a
Mission Time (T <sub>M</sub> )	20 a
Diagnostic Coverage (DC)	0 %

### Compliance with standards and directives

Standard conformity	
Standards	EN IEC 60947-5-2

### Approvals and certificates

UL approval	cULus Listed, General Purpose
CCC approval	CCC approval / marking not required for products rated ≤36 V

### Ambient conditions

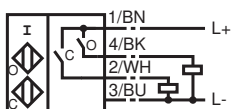
Ambient temperature	0 ... 50 °C (32 ... 122 °F)
Storage temperature	-40 ... 85 °C (-40 ... 185 °F)
Pollution degree	2

### Mechanical specifications

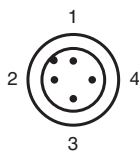
Connection type	Connector plug
Housing material	PA66
Degree of protection	IP65
Connector	
Threading	M12 x 1
Number of pins	4
Mass	35 g
Dimensions	
Height	18.5 mm
Width	18 mm
Length	47 mm
<b>Note</b>	only for use with satellite unit NBN2-F58xx... family

## Connection

E8



## Connection Assignment



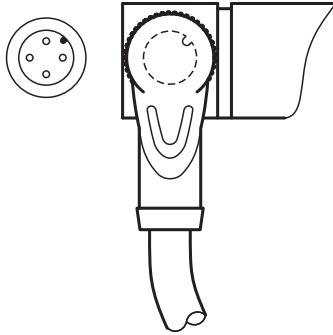
## Connection Assignment

Wire colors in accordance with EN 60947-5-2

1	BN	(brown)
2	WH	(white)
3	BU	(blue)
4	BK	(black)

## Assembly

Orientation of the female cordset in angled design



## Additional Information

### Safety instructions

Laws and/or regulations and standards governing the use or intended usage goal must be observed.

No changes can be made to the device.  
Repairs are not possible.

Protection class II (protective isolation) is only reached under the stated mounting conditions.