



## Inductive power clamp sensor

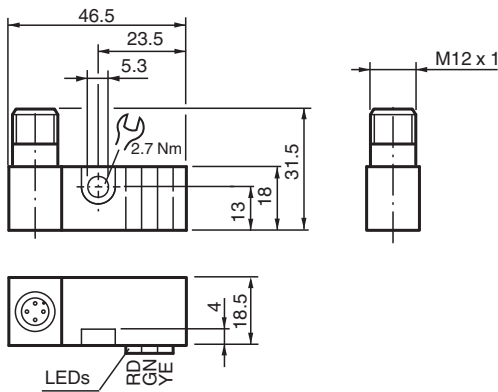
### NBxx-F58D3x3-E8-V1

- Technical data are only valid if satellite unit is connected
- Completely halogen and silicon free
- Extremely bright triple luminous band indication
- Orientation of the coding of the connector plug to position 3

Amplifier unit



## Dimensions



## Technical Data

### General specifications

Switching function	2 x normally open (NO)
Output type	PNP
Output polarity	DC
Output type	4-wire

### Nominal ratings

Operating voltage	$U_B$	10 ... 30 V
Switching frequency	$f$	0 ... 1500 Hz
Reverse polarity protection		reverse polarity protected
Short-circuit protection		pulsing
Voltage drop	$U_d$	$\leq 3$ V
Rated insulation voltage	$U_{BIS}$	60 V
Operating current	$I_L$	0 ... 100 mA
Off-state current	$I_r$	0 ... 0.5 mA typ. 0.1 $\mu$ A at 25 °C
No-load supply current	$I_0$	$\leq 16$ mA
Constant magnetic field	B	300 mT
Alternating magnetic field	B	300 mT
Operating voltage indicator		LED green
Switching state indicator		Switching state "closed" = LED red (S2) switching state "open" = LED yellow (S1)

Release date: 2025-05-21 Date of issue: 2025-05-21 Filename: 70164255\_eng.pdf

## Technical Data

### Functional safety related parameters

MTTF <sub>d</sub>	950 a
Mission Time (T <sub>M</sub> )	20 a
Diagnostic Coverage (DC)	0 %

### Compliance with standards and directives

Standard conformity	
Standards	EN IEC 60947-5-2

### Approvals and certificates

UL approval	cULus Listed, General Purpose
CCC approval	CCC approval / marking not required for products rated ≤36 V

### Ambient conditions

Ambient temperature	0 ... 50 °C (32 ... 122 °F)
Storage temperature	-40 ... 85 °C (-40 ... 185 °F)

### Mechanical specifications

Connection type	Connector plug
Housing material	PA66
Degree of protection	IP65
Connector	
Threading	M12 x 1
Number of pins	4

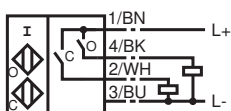
### Dimensions

Height	18.5 mm
Width	18 mm
Length	46.5 mm

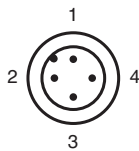
**Note** only for use with satellite unit NBN2-F58xx... family

## Connection

E8



## Connection Assignment

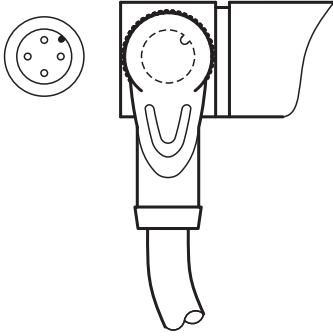


Wire colors in accordance with EN 60947-5-2

1	BN	(brown)
2	WH	(white)
3	BU	(blue)
4	BK	(black)

## Assembly

### Orientation of the female cordset in angled design



## Additional Information

### Safety instructions

Laws and/or regulations and standards governing the use or intended usage goal must be observed.

No changes can be made to the device.  
Repairs are not possible.

Protection class II (protective isolation) is only reached under the stated mounting conditions.