

Connection cable, Ethernet

V1SD-W-GN20M-PUR-E2S-V1D-W

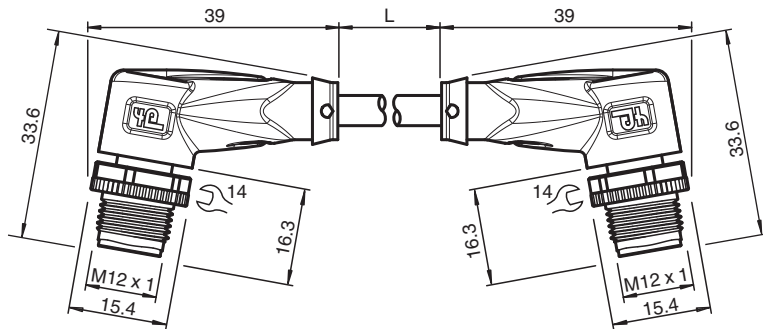


- Hard-wearing PUR cable
- Suitable for drag chains and abrasion resistant
- D coding for Ethernet
- CAT5/CAT5e cable
- Degree of protection IP68 / IP69
- Free of paint wetting interfering substances
- UV resistant
- UL listed for USA and Canada
- Halogen-free
- Specific design protects against loosening and inaccurate installation

Ethernet bus cable M12 plug angled to M12 plug angled D-coded, 4-pin, PUR cable green, Cat5e, shielded, UL approved



Dimensions



Technical Data

General specifications

Connector 1		
Connection		plug
Construction type		M12
Style		angled
Locking		screw connection
Number of pins		4
Coding		D-coded
Connector 2		
Connection		plug
Construction type		M12
Style		angled
Locking		screw connection
Number of pins		4
Coding		D-coded

Electrical specifications

Operating voltage	U_B	max. 250 V AC/DC
Operating current	I_B	max. 4 A

Conformity

Release date: 2025-02-26 Date of issue: 2025-02-26 Filename: 70164943_eng.pdf

Technical Data

Degree of protection	EN 60529	
Plug connection	connector M12 x 1 : IEC 61076-2-101	
Component category	CAT5 (IEC 11801) , CAT5e (IEC 61156-6)	
Flammability	IEC 60332-1-2 / UL 1581 / ISO 6722-1 5.22 (UN ECE-R 118.01)	
Halogen-free	IEC 60754-1	
Chemical resistance	DIN EN 60811-2-1	
UV resistance	UL 1581 section 1200	
Microbial resistance	DIN EN 50525-2-21 / DIN VDE 0282-10	
Oil resistance	DIN EN 60811-2-1	
Approvals and certificates		
UL approval	AWM STYLE 21161 AWM I/II A/B 80°C 300V FT1 (cable)	
UL File Number	E231213	
Ambient conditions		
Ambient temperature		
Plug connector	-40 ... 90 °C (-40 ... 194 °F)	
Cable, fixed installation	-40 ... 80 °C (-40 ... 176 °F)	
Cable, flexing	-30 ... 70 °C (-22 ... 158 °F)	
Mechanical specifications		
Plug connector		
Tightening torque	0.6 Nm	
Loosening protection	integrated	
Tool installation	straight knurling and hexagon nut SW = 14 mm	
Mating cycles	min. 100	
Shielding	shield connected to screw connection	
Degree of protection	IP68 / IP69	
Cable	according to IEC/EN 60228 (DIN VDE 0295) class 5	
Sheath diameter	4.9 mm	
Bending radius	> 12 x cable diameter, movable installation > 6 x cable diameter, fixed installation	
Sheath stripping force	max. 50 N / 100 mm	
Sheath color	green (similar to RAL 6018)	
Number of cores	4	
Core cross section	0.15 mm ² / 26 AWG	
Cores color	Core 1: white/orange Core 2: white/green Core 3: orange Core 4: green	
Core construction	19 x 0.1 mm Ø twisted quad	
Shield	aluminum-lined polyester foil Tinned copper braiding, 85 % coverage	
Length	L	20 m
Cable code	Li 9Y 11YM 4 x 0,15	
Drag chain suitability		
Drag chain cycles	max. 1000000	
Motion velocity	max. 3 m/s	
Traverse distance	max. 4.5 m	
Acceleration	max. 3 m/s ²	
Mass	598.17 g	
Material		
PWIS free	yes	
Halogen-free	yes	
Plug connector		
Screw connection	Zinc diecast, nickel-plated	
Body	TPU, black	

Release date: 2025-02-26 Date of issue: 2025-02-26 Filename: 70164943_eng.pdf

Technical Data

Contact surface	Au
Flammability	V-2
Cable	
Sheathing	PUR based on polyether
Cores	bare copper (Cu)
Core insulation	PP
UV resistance	yes
Oil resistance	yes
Microbial resistance	yes
Flammability	FT1 complies with UN ECE-R 118.01

Connection

