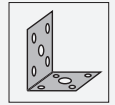


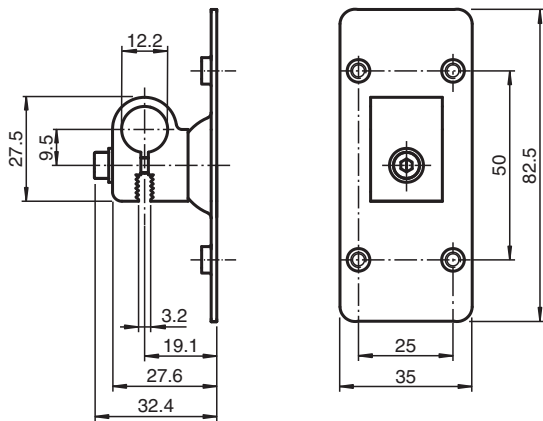
Mounting aid OMH-R202-01



- Mounting bracket
- Simple and fast mounting

Mounting aid for round steel \varnothing 12 mm or sheet 1.5 mm ... 3 mm

Dimensions



Technical Data

Mechanical specifications

Material Metal sheet (steel), zinc-plated

Mass approx. 60 g

Suitable series

Series R202