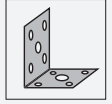




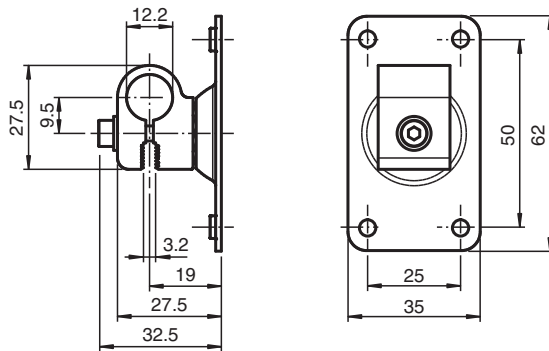
Mounting aid OMH-R202-02



- Mounting bracket
- Simple and fast mounting

Mounting aid for round steel \varnothing 12 mm or sheet 1.5 mm ... 3 mm

Dimensions



Technical Data

Mechanical specifications	
Material	Aluminum Metal sheet (steel), zinc-plated
Screwed connection	Screws for assembly included
Mass	approx. 60 g
Note	Infinitely adjustable on all axes
Suitable series	
Series	R202

Release date: 2023-07-04 Date of issue: 2023-07-04 Filename: 70164974_eng.pdf