

Female connector, field-attachable

V1T-G-PG11

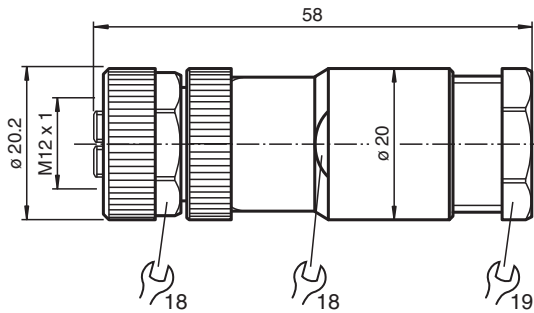


- Screw terminal connection
- Knurled nut suitable for tool assembly
- Metal locking
- UL Recognized Component
- Halogen-free

Female connector M12 straight T-coded 4-pin, for cable diameter 8 - 10 mm, field-attachable



Dimensions



Technical Data

General specifications

Connector 1

Connection	socket
Construction type	M12
Style	straight
Locking	screw connection
Number of pins	4
Coding	T-coded

Electrical specifications

Rated operating voltage	U_e	max. 48 V AC / 63 V DC
Rated operating current	I_e	max. 12 A
Volume resistance		< 5 m Ω

Conformity

Degree of protection	EN 60529
Plug connection	connector M12 x 1 : IEC 61076-2-101

Approvals and certificates

UL File Number	E363587
----------------	---------

Ambient conditions

Ambient temperature	-40 ... 85 °C (-40 ... 185 °F)
Pollution degree	3

Mechanical specifications

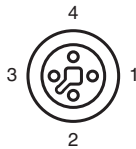
Plug connector

Release date: 2024-11-08 Date of issue: 2024-11-08 Filename: 70166321_eng.pdf

Technical Data

Tightening torque	0.6 Nm
Tool installation	straight knurling , hexagon nut SW = 18 mm
Mating cycles	min. 100
Degree of protection	IP67
Connection	screw terminals for max. 1.5 mm ² / AWG 16 with wire end ferrule screw terminals for max. 2.5 mm ² / AWG 14 without wire end ferrules
Cable	
Sheath diameter	8 ... 10 mm
Core cross section	2.5 mm ² / 14 AWG max.
Mass	30 g
Material	
Halogen-free	yes
Plug connector	
Screw connection	Zinc diecast, nickel-plated
Body	PA, black
Contact surface	gold plated (Au)
Flammability	V-0

Connection Assignment



Connection

