



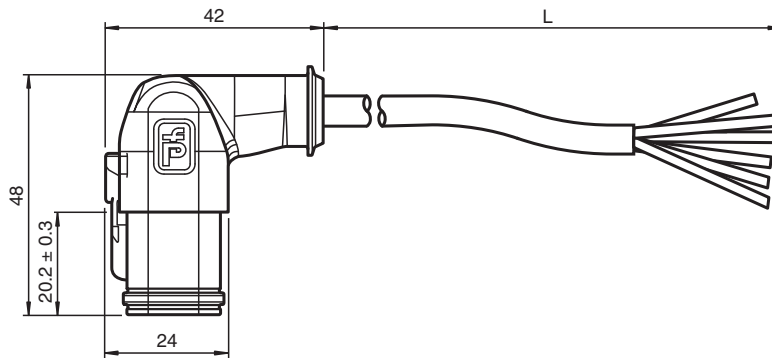
Female cordset DT6S-W-BK3M-PUR-O1

- Hard-wearing PUR cable
- Degree of protection IP68
- Free of paint wetting interfering substances
- Resistant to microbes and hydrolysis
- UV resistant
- Oil resistant
- Snap locking

Female cordset single-ended Deutsch socket angled 6-pin, PUR cable black, drag chain suitable, outdoor



Dimensions



Technical Data

General specifications

Connector 1		
Connection		socket
Construction type		Deutsch connectors
Style		angled
Locking		snap locking
Number of pins		6
Connector 2		
Connection		cable end

Electrical specifications

Operating voltage	U_B	max. 48 V AC / 60 V DC
Operating current	I_B	max. 8 A per contact

Conformity

Degree of protection		EN 60529
Flammability		UL 1581; DIN EN 60332-2-2
Halogen-free		DIN VDE 0472-815 / IEC 60754-1
UV resistance		on the basis of DIN EN ISO 4892-2-A for 1000 hours
Oil resistance		DIN EN 60811-2-1

Ambient conditions

Ambient temperature		
---------------------	--	--

Release date: 2025-04-01 Date of issue: 2025-04-01 Filename: 70167544_eng.pdf

Technical Data

Plug connector		-40 ... 125 °C (-40 ... 257 °F)
Cable, fixed installation		-40 ... 105 °C (-40 ... 221 °F)
Cable, flexing		-30 ... 105 °C (-22 ... 221 °F)
Pollution degree		3
Mechanical specifications		
Plug connector		
Loosening protection		available
Degree of protection		IP68
Cable		according to IEC/EN 60228 (DIN VDE 0295) class 6
Sheath diameter		6 mm
Bending radius		> 10 x cable diameter, movable installation > 5 x cable diameter, fixed installation
Sheath stripping force		max. 50 N / 300 mm
Sheath color		black (similar to RAL 7021)
Number of cores		6
Core cross section		0.5 mm ²
Cores color		Core 1: white Core 2: brown Core 3: blue Core 4: orange Core 5: green Core 6: black
Core construction		28 x 0,15 mm Ø 1 x symmetrically twisted
Length	L	3 m
Cable code		Li 9Y 11Y 6 x 0,50
Drag chain suitability		
Drag chain cycles		min. 2000000
Motion velocity		max. 3 m/s
Traverse distance		max. 10 m
Acceleration		max. 10 m/s ²
Mass		183.4 g
Material		
PWIS free		yes
Halogen-free		yes
Plug connector		
Body		PA, black
Contact surface		Ni
Flammability		V-2
Cable		
Sheathing		PUR based on polyether
Cores		bare copper (Cu)
Core insulation		PP
Salt water resistance		yes
UV resistance		yes
Chemical resistance		good
Oil resistance		yes
Microbial resistance		yes
Hydrolysis resistance		yes
Flammability		FT2

Connection Assignment



- 1) ————— WH
- 2) ————— BN
- 3) ————— BU
- 4) ————— OG
- 5) ————— GN
- 6) ————— BK

Release date: 2025-04-01 Date of issue: 2025-04-01 Filename: 70167544_eng.pdf