



Programming unit

UB-PROG4-V31

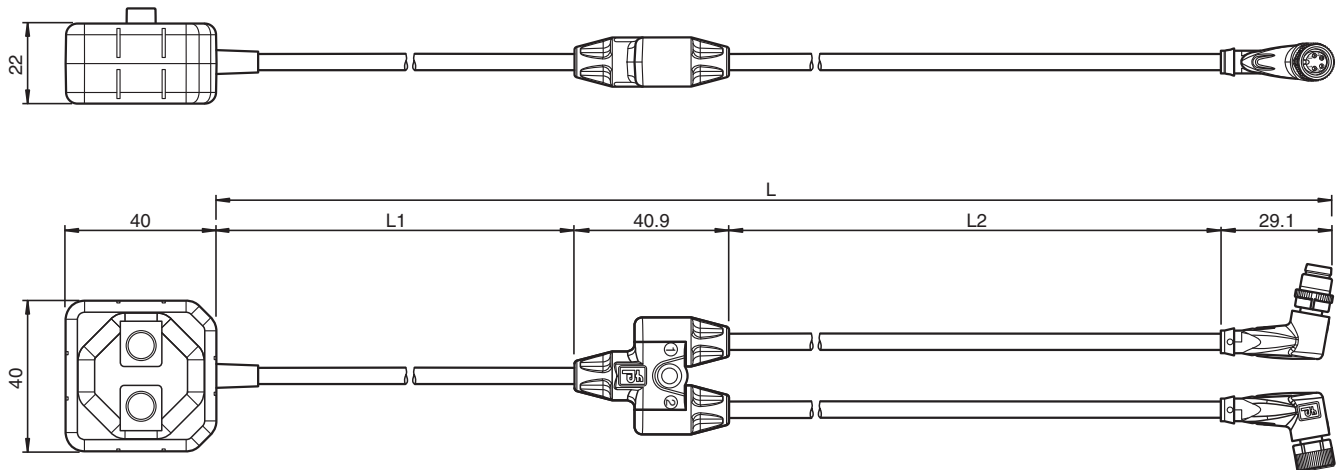


- Programming unit for ultrasonic sensors of the UB*-F77* series
- Simple, temporary integration into the sensor supply line using M8 plug co

Programming unit for ultrasonic sensors with two 4-pin M8 connectors



Dimensions



Technical Data

Mechanical specifications

Connection	M8 x 1 , 4-pin
Material	
Housing	ABS
Cable	PUR
Mass	100 g
Cable length	L = 2,25 m L1 = 2 m L2 = 0,2 m

Teach-In

The programming unit is used for an easy Teach-in of the switch point for ultrasonic sensors of the UB*-F77 series. For the teach-in process, the programming device is connected between the cable junction box and the connector on the sensor. Teach-in is conducted via A1 button. The A2 button has no functionality for ultrasonic sensors of the UB*-F77 series.

Note

A detailed description of the teach-in process can be found on the data sheet for the relevant UB*-F77 series sensor. The taught-in values are stored in non-volatile memory. They are retained after removing the programming unit and/or after switching off the operating voltage to the sensor