

Connection cable, Ethernet

V1D-G-GN1,5M-PUR-E2S-V1D-W

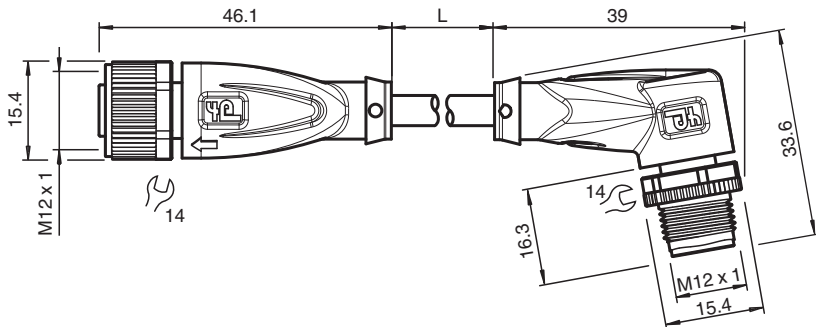


- Hard-wearing PUR cable
- Suitable for drag chains and abrasion resistant
- D coding for Ethernet
- CAT5/CAT5e cable
- Degree of protection IP68 / IP69
- Free of paint wetting interfering substances
- UV resistant
- UL listed for USA and Canada
- Halogen-free
- Specific design protects against loosening and inaccurate installation

Ethernet bus cable M12 socket straight to M12 plug angled D-coded, 4-pin, PUR cable green, Cat5e, shielded, UL approved



Dimensions



Technical Data

General specifications

| | | |
|-------------------|--|------------------|
| Connector 1 | | |
| Connection | | socket |
| Construction type | | M12 |
| Style | | straight |
| Locking | | screw connection |
| Number of pins | | 4 |
| Coding | | D-coded |
| Connector 2 | | |
| Connection | | plug |
| Construction type | | M12 |
| Style | | angled |
| Locking | | screw connection |
| Number of pins | | 4 |
| Coding | | D-coded |

Electrical specifications

| | | |
|-------------------|-------|------------------|
| Operating voltage | U_B | max. 250 V AC/DC |
| Operating current | I_B | max. 4 A |

Conformity

Release date: 2025-03-18 Date of issue: 2025-03-18 Filename: 70167994_eng.pdf

Technical Data

| | | |
|-----------------------------------|---|-------|
| Degree of protection | EN 60529 | |
| Plug connection | connector M12 x 1 : IEC 61076-2-101 | |
| Component category | CAT5 (IEC 11801) , CAT5e (IEC 61156-6) | |
| Flammability | IEC 60332-1-2 / UL 1581 / ISO 6722-1 5.22 (UN ECE-R 118.01) | |
| Halogen-free | IEC 60754-1 | |
| Chemical resistance | DIN EN 60811-2-1 | |
| UV resistance | UL 1581 section 1200 | |
| Microbial resistance | DIN EN 50525-2-21 / DIN VDE 0282-10 | |
| Oil resistance | DIN EN 60811-2-1 | |
| Approvals and certificates | | |
| UL approval | AWM STYLE 21161 AWM I/II A/B 80°C 300V FT1 (cable) | |
| UL File Number | E231213 | |
| Ambient conditions | | |
| Ambient temperature | | |
| Plug connector | -40 ... 90 °C (-40 ... 194 °F) | |
| Cable, fixed installation | -40 ... 80 °C (-40 ... 176 °F) | |
| Cable, flexing | -30 ... 70 °C (-22 ... 158 °F) | |
| Mechanical specifications | | |
| Plug connector | | |
| Tightening torque | 0.6 Nm | |
| Loosening protection | integrated | |
| Tool installation | straight knurling and hexagon nut SW = 14 mm | |
| Mating cycles | min. 100 | |
| Shielding | shield connected to screw connection | |
| Degree of protection | IP68 / IP69 | |
| Cable | according to IEC/EN 60228 (DIN VDE 0295) class 5 | |
| Sheath diameter | 4.9 mm | |
| Bending radius | > 12 x cable diameter, movable installation > 6 x cable diameter, fixed installation | |
| Sheath stripping force | max. 50 N / 100 mm | |
| Sheath color | green (similar to RAL 6018) | |
| Number of cores | 4 | |
| Core cross section | 0.15 mm ² / 26 AWG | |
| Cores color | Core 1: white/orange Core 2: white/green Core 3: orange Core 4: green | |
| Core construction | 19 x 0.1 mm Ø twisted quad | |
| Shield | aluminum-lined polyester foil Tinned copper braiding, 85 % coverage | |
| Length | L | 1.5 m |
| Cable code | Li 9Y 11YM 4 x 0,15 | |
| Drag chain suitability | | |
| Drag chain cycles | max. 1000000 | |
| Motion velocity | max. 3 m/s | |
| Traverse distance | max. 4.5 m | |
| Acceleration | max. 3 m/s ² | |
| Mass | 74 g | |
| Material | | |
| PWIS free | yes | |
| Halogen-free | yes | |
| Plug connector | | |
| Screw connection | Zinc diecast, nickel-plated | |
| Body | TPU, black | |

Release date: 2025-03-18 Date of issue: 2025-03-18 Filename: 70167994_eng.pdf

Technical Data

| | |
|----------------------|--------------------------------------|
| Seal | FKM |
| Contact surface | Au |
| Flammability | V-2 |
| Cable | |
| Sheathing | PUR based on polyether |
| Cores | bare copper (Cu) |
| Core insulation | PP |
| UV resistance | yes |
| Oil resistance | yes |
| Microbial resistance | yes |
| Flammability | FT1 complies with UN ECE-R 118.01 |

Connection Assignment

