



## I/O hub ICA-16DI-G11-IO

- IO-Link interface for service and process data
- 16 digital inputs
- Logic level can be configured per port
- Filter time can be configured per port
- Pulse extension can be configured per port

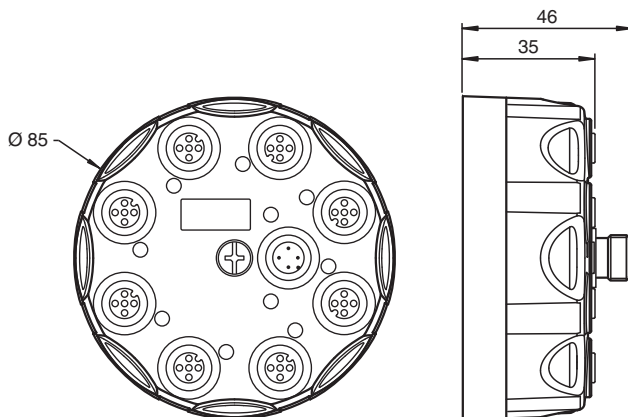
I/O hub with IO-Link interface for 16 digital inputs



### Function

The ICA-16DI-G11-IO is an IO-Link field module with 16 digital inputs. The module and the inputs are supplied with power via IO-Link. The inputs are connected via 4-pin M12 sockets. IO-Link is connected via a 4-pin M12 connector. The current switching state or an overload of the inputs is indicated via LEDs.

### Dimensions



### Technical Data

#### General specifications

MTBF 189 a

#### Indicators/operating means

LED PWR LED green: flashing with short break (1 Hz) - IO-Link mode

LED P Switch state (IN); multicolor LED  
 yellow: only IN pin 4 is active  
 blue: only IN pin 2 is active  
 green: both IN pin 4 and pin 2 are active  
 red: overload at sensor supply

#### Electrical specifications

Operating voltage	$U_B$	18 ... 30 V DC, PELV Current limitation of the supply max. 4 A
No-load supply current	$I_0$	≤ 25 mA
Operating current	$I_B$	max. 4 A

#### Interface

Interface type IO-Link

Release date: 2025-03-05 Date of issue: 2025-03-05 Filename: 70169519\_eng.pdf

## Technical Data

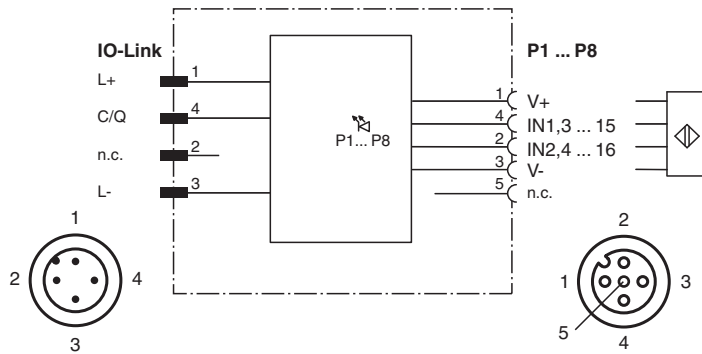
IO-Link revision	1.1
Device profile	Identification and Diagnosis - I&D Firmware update
Process data	Inputs 3 Byte - Input signals 16 Bit - diagnosis signals 5 Bit
Vendor ID	1 (0x0001)
Device ID	985601 (0x0F0A01)
Data transfer rate	COM3 (230.4 kbits/s)
Min. cycle time	1 ms
SIO mode support	no
Compatible master port type	Class A
<b>Input</b>	
Number/Type	16 Inputs for 3-wire sensors (PNP), DC (P1 ... P8)
Supply	from IO-Link
Current loading capacity	180 mA , overload and short-circuit protected
Input current	≤ 5 mA (limited internally)
Switching point	Type 3 according to IEC 61131-2
<b>Directive conformity</b>	
Electromagnetic compatibility	
Directive 2014/30/EU	EN 61326-1:2013 EN 55011:2016
<b>Standard conformity</b>	
Degree of protection	EN 60529:2000
Input	EN 61131-2:2007
Communication interface	IEC 61131-9 / IO-Link V1.1.4
Emitted interference	EN 61000-6-4:2007
Noise immunity	EN 61000-6-2:2005, EN 61326-1:2006
<b>Approvals and certificates</b>	
UL approval	Load specification DC General Use / DC Pilot Duty Degree of protection not tested by UL; tested by Pepperl+Fuchs SE
<b>Ambient conditions</b>	
Ambient temperature	-25 ... 70 °C (-13 ... 158 °F)
Storage temperature	-25 ... 85 °C (-13 ... 185 °F)
Relative humidity	85 % non-condensing
Climatic conditions	For indoor use only
Altitude	≤ 5000 m above MSL
Shock and impact resistance	30 g, 11 ms in 6 spatial directions, 3 shocks 10 g, 16 ms in 6 spatial directions, 1000 shocks
Vibration resistance	0.35 mm / 5 g 5 ... 500 Hz
Pollution degree	3
<b>Mechanical specifications</b>	
Degree of protection	IP68 / IP69K
Connection	<b>IO-Link:</b> M12 round plug connector in accordance with EN 61076-2-101, LM type (4-pin, connector contacts, screw-locking, A-coded) Female connector: LF type or similar <b>P:</b> M12 round plug connector in accordance with EN 61076-2-101, LF type (4-pin, socket contacts, screw-locking, A-coded) Mating connector: LM type or similar
<b>Material</b>	
Housing	PBT PC
Mounting screw	Stainless steel 1.4305 / AISI 303
Mass	200 g
Tightening torque, housing screws	1.8 Nm
Tightening torque, cable gland	0.4 Nm

Release date: 2025-03-05 Date of issue: 2025-03-05 Filename: 70169519\_eng.pdf

## Technical Data

Dimensions	
Height	46 mm
Diameter	85 mm
Connection	height 11 mm
Construction type	Field housing
Mounting	Mounting plate

## Connection Assignment



## Assembly

