



## Ultrasonic sensor

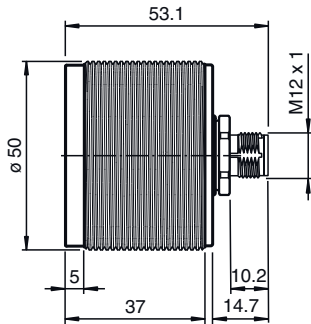
UCC4000-50GK-B26-V15-Y70169750

- Thread M50
- PTFE coated transducer
- M12 male connector
- PWM output
- Power save mode
- Temperature compensation
- Customer-specific configuration

Single head system



### Dimensions



### Technical Data

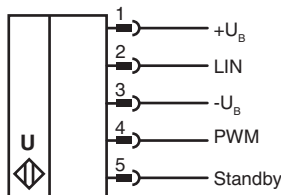
General specifications		
Sensing range		250 ... 4000 mm
Dead band		0 ... 250 mm
Standard target plate		100 mm x 100 mm
Transducer frequency		approx. 75 kHz
Electrical specifications		
Operating voltage	$U_B$	2.5 ... 5 V DC
No-load supply current	$I_0$	$\leq 60$ mA at 3.3 V DC
Quiescent current indication		$< 3$ $\mu$ A In standby mode
Power consumption	$P_0$	$\leq 250$ mW in the measurement operating mode
Time delay before availability	$t_v$	$\leq 95$ ms
Interface 1		
Interface type		Physical LIN interface
Transfer rate		19.2 kBit/s (8N1)
Cycle time		80 ms
Resolution		16 mm (corresponding to 1 LSB)
Input		
Input type		Standby active
Signal level		low: 0 ... 0.8 V
Output		
Output type		PWM output (PNP) , not short-circuit protected

Release date: 2025-06-24 Date of issue: 2025-06-24 Filename: 70169750\_eng.pdf

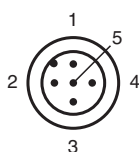
## Technical Data

Resolution	pulse length 10 $\mu$ s /cm
Output current	max. 10 mA
Temperature influence	3 % of full-scale value over the entire temperature range
<b>Directive conformity</b>	
Electromagnetic compatibility	
Directive 2014/30/EU	EN IEC 60947-5-2:2020 : chapter 8.2.6.2.2, 8.2.6.2.3, 8.2.6.3 The sensor is designed to be supplied by a battery. The sensor signals are further processed in a control unit, which is also responsible for EMC protection.
<b>Approvals and certificates</b>	
UL approval	UL Recognized , General purpose , Class 2 power source
<b>Ambient conditions</b>	
Ambient temperature	-25 ... 70 °C (-13 ... 158 °F)
Storage temperature	-40 ... 85 °C (-40 ... 185 °F)
<b>Mechanical specifications</b>	
Connection type	Connector plug
Degree of protection	IP67
Material	
Housing	PBT
Transducer	epoxy resin/hollow glass bead mixture; Polyurethane foam, PTFE coated
Connector	
Threading	M12 x 1
Number of pins	5
Mass	115 g
Dimensions	
Height	54 mm
Width	50 mm
Length	50 mm
<b>Factory settings</b>	
Default setting	Temperature compensation Address setting 7
Beam width	wide
<b>General information</b>	
Scope of delivery	2 nuts plastic

## Connection Assignment



## Connection Assignment



Release date: 2025-06-24 Date of issue: 2025-06-24 Filename: 70169750\_eng.pdf

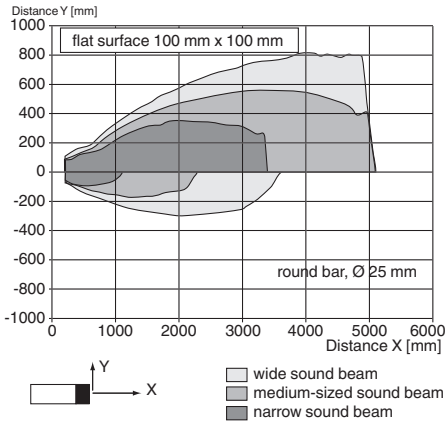
## Connection Assignment

Wire colors in accordance with EN 60947-5-2

1	BN	(brown)
2	WH	(white)
3	BU	(blue)
4	BK	(black)
5	GY	(gray)

## Characteristic Curve

### Characteristic response curve



Release date: 2025-06-24 Date of issue: 2025-06-24 Filename: 70169750\_eng.pdf