

AS-Interface splitter box

VAZ-T1-FK-G10-F1-1M-PUR-V1-G

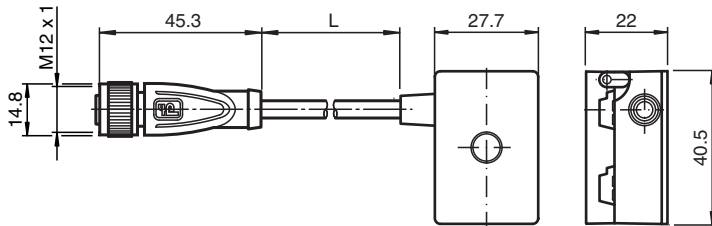


- One piece housing
- Simple and fast mounting
- Fuse with LED display
- Gold-plated and machined contacts
- Oil and abrasion resistant PUR line appropriate for drag chains
- Immunity to vibration
- Degree of protection IP68 / IP69K
- Halogen-free

G10 junction block, LED status indication, AS-Interface to 1x M12 round plug connector



Dimensions



Technical Data

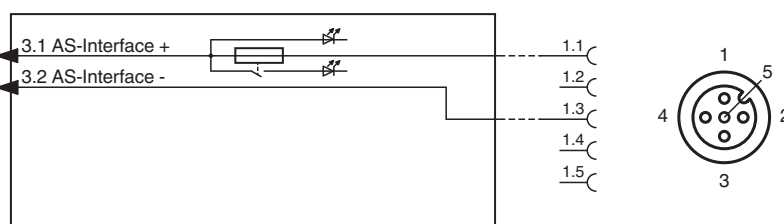
General specifications			
Construction type		Socket, straight Flat cable terminal AS-Interface	
Indicators/operating means			
LED FAULT		LED red: Fuse unit blown	
LED PWR		LED green: normal operation	
Electrical specifications			
Rated operating voltage	U_e	10 ... 32 V PELV	
Protection class		III	
Short-circuit current	I_k	max. 50 A	
Surge protection		U_e : Over voltage category III, safe isolated power supplies (PELV)	
Output			
Current loading capacity		Rated current of the fuse: 5 A Continuous operation: 4 A	
Voltage drop	U_d	≤ 0.4 V	
Overload protection		Fuse acc. to UL248-1, UL248-14	
Compliance with standards and directives			

Release date: 2024-04-10 Date of issue: 2024-04-10 Filename: 70170829_eng.pdf

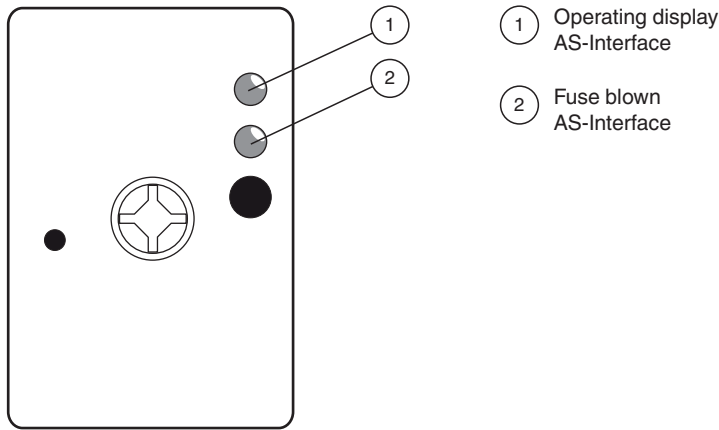
Technical Data

Directive conformity	
EMC Directive 2004/108/EC	EN 61000-6-2:2005, EN 61000-6-4:2007
Standard conformity	
Noise immunity	EN 61000-6-2:2005
Emitted interference	EN 61000-6-4:2007
Degree of protection	EN 60529:2000
Ambient conditions	
Ambient temperature	-25 ... 70 °C (-13 ... 158 °F)
Storage temperature	-25 ... 85 °C (-13 ... 185 °F)
Mechanical specifications	
Degree of protection	IP67 IP67 / IP68 / IP69K with flat cable VAZ-FK-S-*
Connection	Flat cable AS-Interface: cable piercing method Plug connection: M12 x 1 socket (V1)
Material	
Contacts	CuSn / Au
Housing	PBT PC
Body	PUR, black
Cable	PUR
Mounting screw	Stainless steel 1.4305 / AISI 303
Cable	
Sheath diameter	Ø4,3 mm
Color	black
Cores	2 x 0.5 mm ²
Length	L 1 m
Mass	70 g
Tightening torque, fastening screws	1.65 Nm
Tightening torque, cable gland	0.4 Nm
Dimensions	
Height	22 mm
Width	27.7 mm
Length	40.5 mm
Note	The unused flat cable connector is closed with a seal.

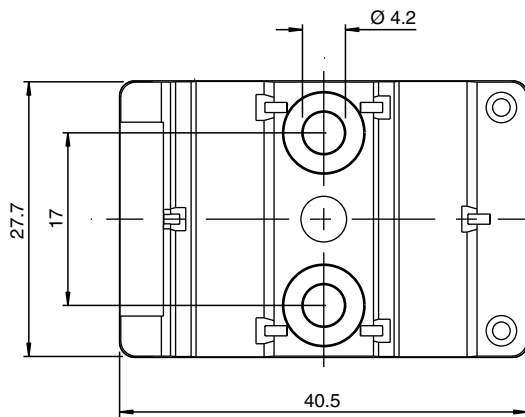
Connection



Assembly



Mounting



You may screw the device onto a level mounting surface using two M4 attachment screws. The attachment screws are not included.