



Y connection cable

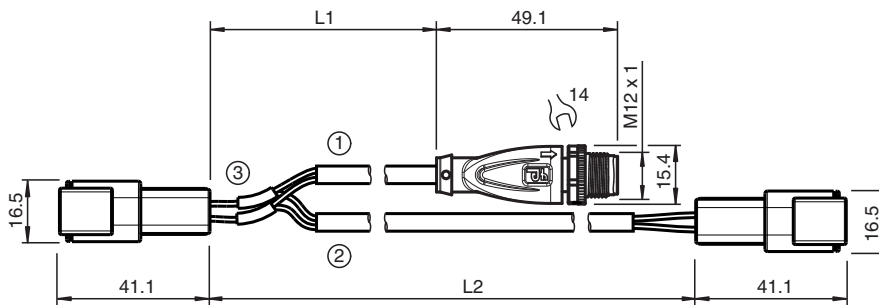
DTM2P-TEE-PVC-V11S/DTM2P-HOE

- Image is generic for this device type and may deviate from the specific variant

Y connection cable Deutsch plug straight 2-pin to M12 plug straight A-coded 3-pin / Deutsch plug straight 2-pin, PVC cable grey



Dimensions



Technical Data

General specifications

Connector 1	
Connection	plug
Construction type	M12
Style	straight
Locking	screw connection
Number of pins	3
Coding	A-coded
Connector 2	
Connection	plug
Construction type	Deutsch connectors
Style	straight
Locking	snap locking
Number of pins	2
Connector 3	
Connection	plug
Construction type	Deutsch connectors
Style	straight
Locking	snap locking
Number of pins	2
Electrical specifications	
Operating voltage	U_B max. 250 V AC/DC

Release date: 2024-06-26 Date of issue: 2024-06-26 Filename: 70171015_eng.pdf

Technical Data

Operating current	I _B	max. 4 A
Conformity		
Degree of protection		EN 60529
Ambient conditions		
Ambient temperature		
Connector 1		-40 ... 90 °C (-40 ... 194 °F)
Connector 2		-55 ... 125 °C (-67 ... 257 °F)
Connector 3		-55 ... 125 °C (-67 ... 257 °F)
Cable, fixed		-25 ... 70 °C (-13 ... 158 °F)
Cable, flexing		-5 ... 70 °C (23 ... 158 °F)
Pollution degree		3
Mechanical specifications		
Connector 1		
Tightening torque		0.6 Nm
Loosening protection		available
Tool installation		straight knurling , hexagon nut SW = 14 mm
Mating cycles		min. 100
Degree of protection		IP68 / IP69
Connector 2		
Loosening protection		available
Mating cycles		min. 100
Degree of protection		IP68
Connector 3		
Loosening protection		available
Mating cycles		min. 100
Degree of protection		IP68
Cable		
Sheath diameter		4.8 mm
Bending radius		> 10 x cable diameter, moving
Sheath stripping force		max. 80 N / 300 mm
Sheath color		grey (similar to RAL 7001)
Number of cores		3
Core cross section		0.34 mm ²
Cores color		Core 1: brown Core 2: blue
Core construction		19 x 0.15 mm Ø
Length	L	L1 = 120 mm L2 = 230 mm
Cable code		Li Y YM 3 x 0,34
Material		
Connector 1		
Screw connection		Zinc diecast, nickel-plated
Body		TPU, black
Contact surface		gold plated (Au)
Flammability		V-2
Connector 2		
Body		PA, black
Contact surface		Ni
Flammability		V-0
Connector 3		
Body		PA, black
Contact surface		Ni
Flammability		V-0
Cable		

Release date: 2024-06-26 Date of issue: 2024-06-26 Filename: 70171015_eng.pdf

Technical Data

Sheathing	PVC
Core insulation	PVC
Flammability	flame-resistant

Connection Assignment

