



## 5500-01 control unit bracket

### 5500-ACC-BKT-YM

- Angle bracket for mounting the 5500-01 external control unit with or without 5500-MAN manifold to the enclosure
- Includes mounting bolts, nuts, and sealing washer for Type 4X degree of protection
- 316 stainless steel
- One bracket for top, bottom, side mounting option

5500-01 control unit bracket for easy mounting

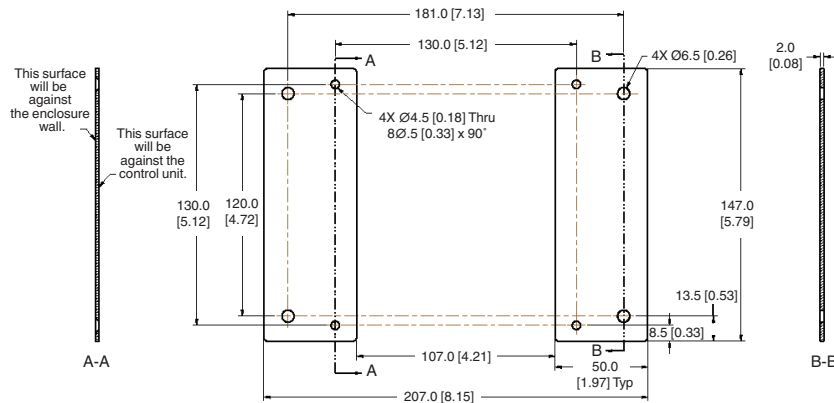


### Function

The 5500-ACC-BKT is designed to mount the 5500-01 control unit (with or without an optional 5500-MAN manifold) to the side, top, or bottom of an enclosure, making the control unit visible when viewed directly from the front. The bracket comes with mounting bolts, nuts, and Type 4X/IP66 washers for easy installation. The bracket can be ordered as a standalone mounting device for the 5500-01 control unit only, or as a mounting solution for the 5500-01 control unit with the 5500-MAN-CD01, 5500-MAN-EX01, or 5500-MAN-CDUL-01 manifold installed. Control unit and manifold are not included.

### Dimensions

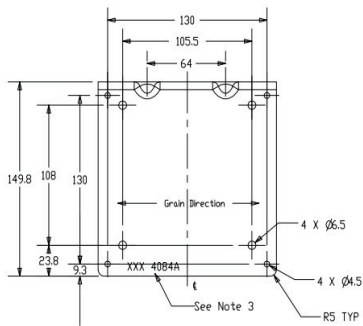
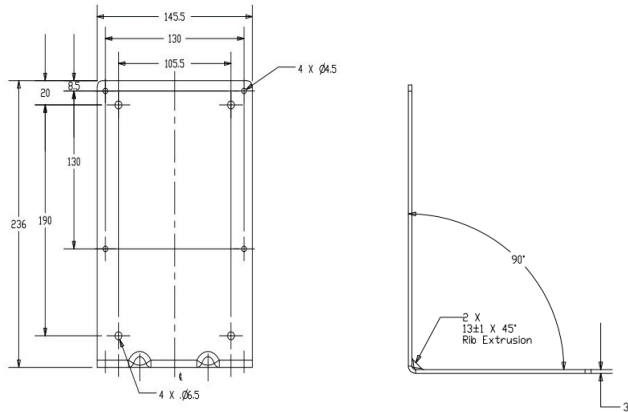
#### 6500-01-INT1-BKT01



Release date: 2025-02-12 Date of issue: 2025-02-12 Filename: 70171028\_eng.pdf

**Dimensions**

**6500-01-EXT1-BKT01**

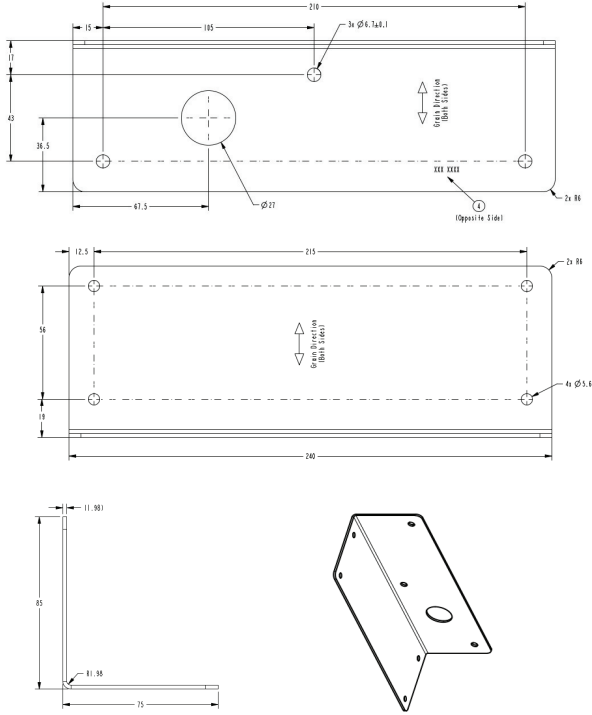


Release date: 2025-02-12 Date of issue: 2025-02-12 Filename: 70171028\_eng.pdf



**Dimensions**

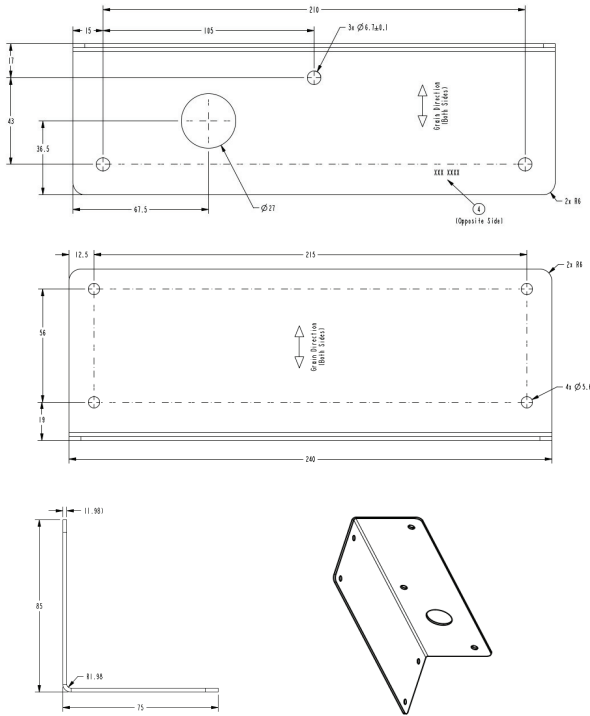
**5500-ACC Mounting Bracket  
(For use with and without manifold mount)**



Release date: 2025-02-12 Date of issue: 2025-02-12 Filename: 70171028\_eng.pdf

**Dimensions**

**7500-ACC Mounting Bracket  
(For use with manifold mount only)**



**Technical Data**

General specifications	
Operating mode	For mounting 5500 control unit to enclosure or back panel
Series	5500
System	Type Z Purge ; Ex pzc Purge
Hazardous environment	gas or dust
Mechanical specifications	
Degree of protection	Mounting type 4X / IP66 (Seeloc washers)
Material	<b>Bracket:</b> 316 stainless steel <b>Panel:</b> 316 stainless steel Hardware, panel-to-enclosure (Bag 1) <b>Bolts (3):</b> 304 stainless steel <b>Washers (3):</b> Seeloc by APM Hexseal (P/N 75082 Buna-N) <b>Nut:</b> 304 stainless steel Hardware, bracket-to-panel (Bag 2) <b>Bolts (2):</b> 304 stainless steel <b>Washers (2):</b> Hard fiber <b>Nuts (2):</b> 304 stainless steel
Mass	<b>5500-ACC-BKT-NM</b> 1.5 kg <b>5500-ACC-BKT-YM</b> 2.6 kg
Dimensions	For <b>bracket dimensions</b> , see dimension drawing. Hardware, panel-to-enclosure (Bag 1) <b>Bolts (3):</b> 1/4 x 20 x 3/4" <b>Washers (3):</b> 1" (OD); 9.53mm (hole diameter) <b>Nut:</b> 1/4" Hardware, bracket-to-panel (Bag 2) <b>Bolts (2):</b> 5mm x 12mm button socket <b>Washers (2):</b> No 8 <b>Nut (2):</b> 5mm nyloc nut
General information	

Release date: 2025-02-12 Date of issue: 2025-02-12 Filename: 70171028\_eng.pdf

## Technical Data

Scope of delivery

One (1) each bracket and panel with mounting hardware included (Control unit and optional manifold are sold separately.)

## Type Code

### Structure of the type code

(1)	-	(2)	-	(3)	-	(4)
-----	---	-----	---	-----	---	-----

<b>1</b>	<b>Purge Series</b>
5500	5500 Series

<b>2</b>	<b>Device type</b>
ACC	Accessory

<b>3</b>	<b>Accessory type</b>
BKT	Bracket only

<b>4</b>	<b>Bracket type</b>
NM	No manifold mounting option
YM	Yes manifold mounting option