



Y connection cable

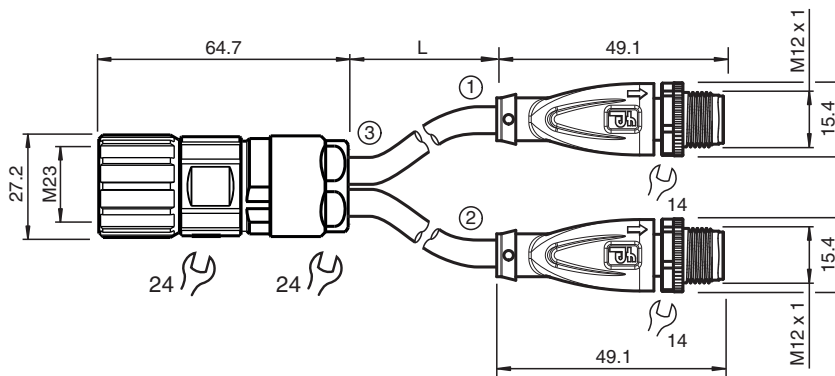
V23-G-T-0,3M-PUR-TP-V19/V19-G

- Specific design protects against loosening and inaccurate installation

Y connection cable M23 socket straight 12-pin to 2x M12 plug straight A-coded 8-pin, 1x PVC cable grey, twisted pairs, overall shield / 1x PUR cable black, shielded



Dimensions



Technical Data

General specifications

Connector 1	
Connection	plug
Construction type	M12
Style	straight
Locking	screw connection
Number of pins	8
Coding	A-coded
Connector 2	
Connection	plug
Construction type	M12
Style	straight
Locking	screw connection
Number of pins	8
Coding	A-coded
Connector 3	
Connection	socket
Construction type	M23
Style	straight

Release date: 2024-02-22 Date of issue: 2024-02-22 Filename: 70172780_eng.pdf

Technical Data

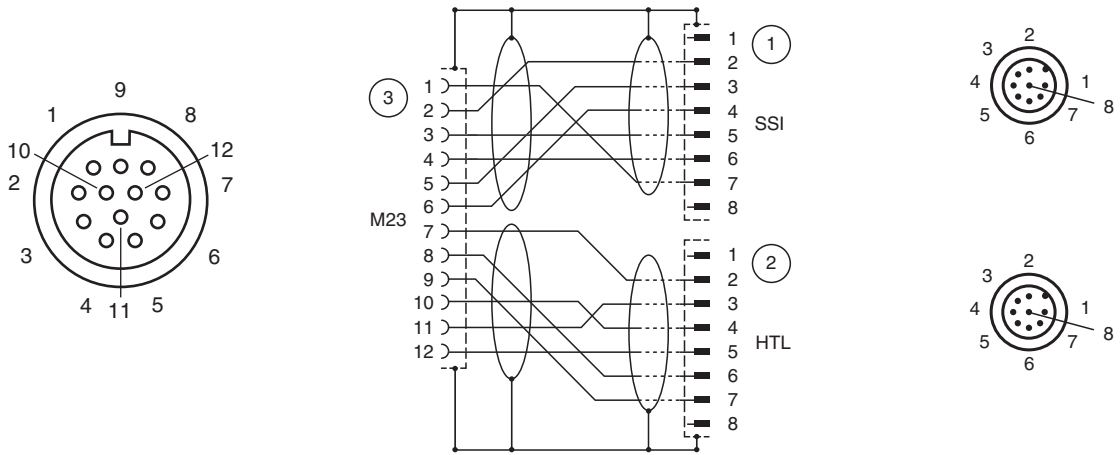
Locking	screw connection	
Number of pins	12	
Electrical specifications		
Operating voltage	U _B	max. 48 V AC / 60 V DC
Operating current	I _B	max. 8 A / max. 2 A per pin
Conformity		
Degree of protection	EN 60529	
Plug connection	connector M12 x 1 : IEC 61076-2-101	
Flammability	UL 1581; DIN EN 60332-2-2 ; IEC 60332-1-2	
Ambient conditions		
Ambient temperature		
Connector 1	-40 ... 90 °C (-40 ... 194 °F)	
Connector 2	-40 ... 90 °C (-40 ... 194 °F)	
Connector 3	-40 ... 125 °C (-40 ... 257 °F)	
Cable, fixed	-40 ... 80 °C (-40 ... 176 °F)	
Cable, flexing	-5 ... 70 °C (23 ... 158 °F)	
Pollution degree	3	
Mechanical specifications		
Connector 1		
Tightening torque	0.6 Nm	
Loosening protection	available	
Tool installation	straight knurling and hexagon nut SW = 14 mm	
Mating cycles	min. 100	
Shielding	shield connected to screw connection	
Degree of protection	IP68 / IP69	
Connector 2		
Tightening torque	0.6 Nm	
Loosening protection	available	
Tool installation	straight knurling and hexagon nut SW = 14 mm	
Mating cycles	min. 100	
Shielding	shield connected to screw connection	
Degree of protection	IP68 / IP69	
Connector 3		
Tool installation	straight knurling and hexagon nut SW = 24 mm	
Shielding	shield connected to screw connection	
Degree of protection	IP67 / IP69K	
Cable		
according to IEC/EN 60228 (DIN VDE 0295) class 5		
Sheath diameter	6 mm / 6.2 mm	
Bending radius	> 15 x cable diameter, moving > 6 x cable diameter, fixed	
Sheath color	black / grey	
Number of cores	8	
Core cross section	0.25 mm ² / 0.14 mm ²	
Cores color	Core 1-7: SSI BU Core 2-2: SSI BN Core 3-5: SSI GY Core 4-6: SSI PK Core 5-3: SSI GN Core 6-4: SSI YE Core 7-2: HTL BN Core 8-6: HTL PK Core 9-7: HTL BU Core 10-4: HTL YE Core 11-3: HTL GN Core 12-5: HTL GY	
Core construction	32 x 0.1 mm Ø / 4 x 2 x 0.14 mm ² twisted pairs , overall shield	
Shield	tinned copper braiding	

Release date: 2024-02-22 Date of issue: 2024-02-22 Filename: 70172780_eng.pdf

Technical Data

Length	L	0.3 m
Cable code		Li 9Y C 11Y 8 x 0,25 / Li Y CY 4 x 2 x 0,14
Material		
Connector 1		
Screw connection		Zinc diecast, nickel-plated
Body		TPU, black
Contact surface		gold plated (Au)
Flammability		V-2
Connector 2		
Screw connection		Zinc diecast, nickel-plated
Body		TPU, black
Contact surface		gold plated (Au)
Flammability		V-2
Connector 3		
Screw connection		Zinc diecast, nickel-plated
Body		Zinc diecast, nickel-plated
Seal		NBR
Contact surface		gold plated (Au)
Cable		
Sheathing		PUR / PVC
Core insulation		PP / PVC
Flammability		flame retardant

Connection Assignment



Release date: 2024-02-22 Date of issue: 2024-02-22 Filename: 70172780_eng.pdf