



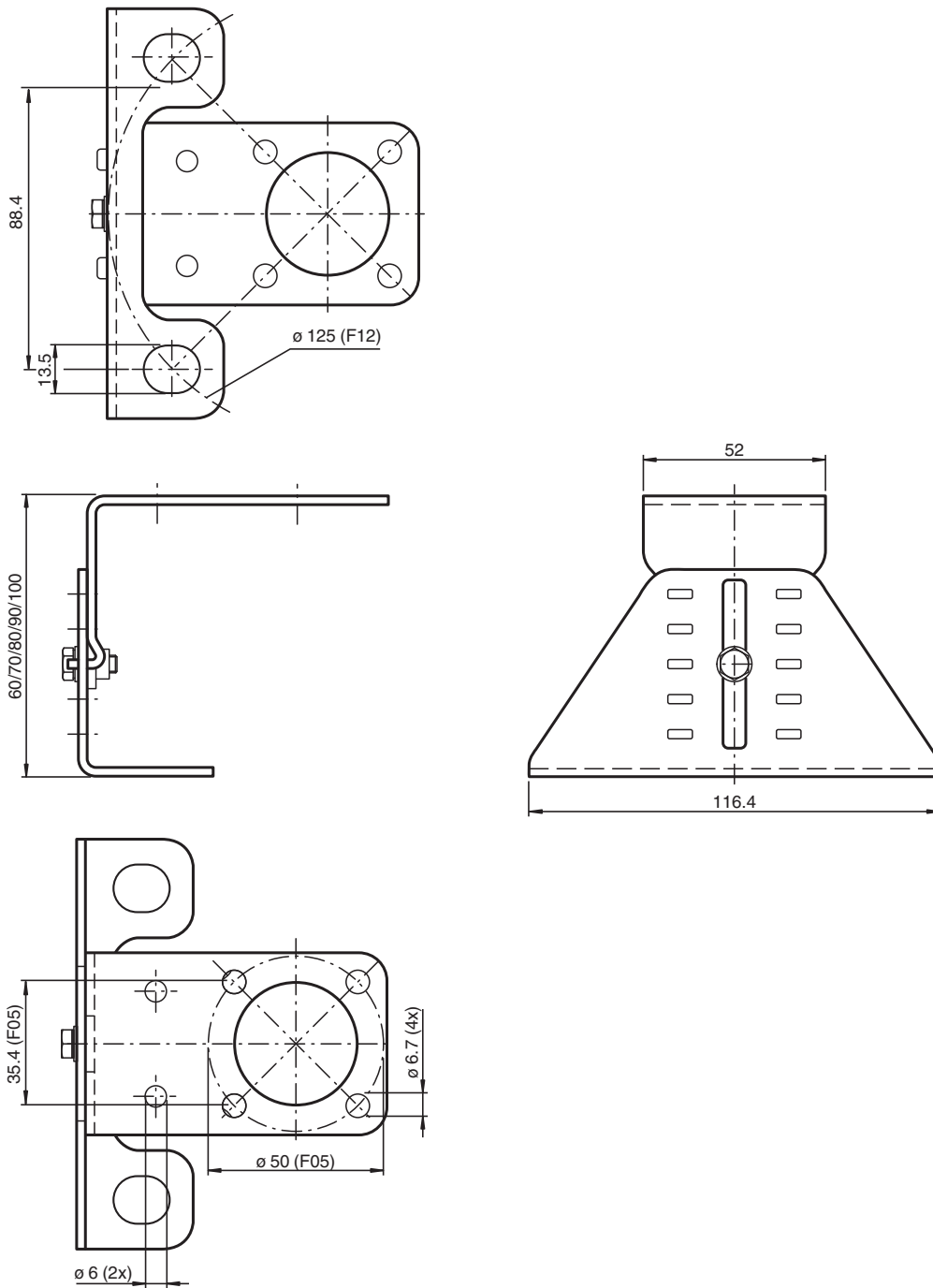
Mounting set

MHV-BT-F12

- Simple mounting
- All-in-one stainless steel solution
- Conforming to standards
- Adjustable in height

Adjustable assembly set for sizes F10 manual operated valves according to EN ISO5211 (without drive screw)

Dimensions



Technical Data

General specifications

Suitable sensors and

Dual sensors, -F25 series with actuator BT32...
 Dual sensors, -F25K series with actuator BT32...
 Dual sensors, -F31 series with actuator BT65...
 Dual sensors, -F31K series with actuator BT65...
 Dual sensors, -F31K2 series with actuator BT65...

Standard conformity

Standards

DIN EN ISO 5211 / DIN 3337

Mechanical specifications

Release date: 2024-01-31 Date of issue: 2024-01-31 Filename: 70173263_eng.pdf

Technical Data

Material	stainless steel 1.4301 / AISI 304 for plates and sheet metal bending parts
Mass	369 g
Dimensions	
Width	64 mm
Length	312 mm
General information	
Note	For the mounting set, an adapter plate and depending on this, and further accessories must be ordered.