



## Adapter cable

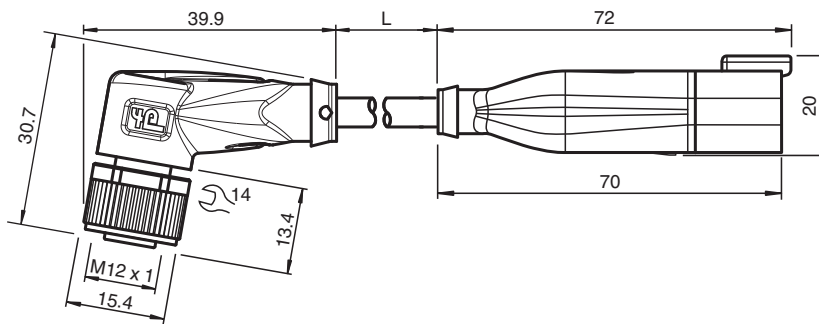
V15-W-BK0,6M-PUR-O1-DT4P-G-Y1

- Suitable for outdoor use (UV- and ozone resistant)
- Suitable for drag chains and abrasion resistant
- Degree of protection IP68
- Resistant to microbes and hydrolysis
- Oil resistant
- Resistant to salt water
- Halogen-free
- Specific design protects against loosening and inaccurate installation
- Customer-specific configuration

Adapter cable M12 socket angled A-coded 5-pin to Deutsch plug straight 4-pin, PUR cable black, drag chain suitable, outdoor



### Dimensions



### Technical Data

#### General specifications

Customization	customer-specific pin assignment
Connector 1	
Connection	socket
Construction type	M12
Style	angled
Locking	screw connection
Number of pins	5
Coding	A-coded
Connector 2	
Connection	plug
Construction type	Deutsch connectors
Style	straight
Locking	snap locking
Number of pins	4

#### Electrical specifications

Release date: 2023-12-08 Date of issue: 2023-12-08 Filename: 70173824\_eng.pdf

## Technical Data

Operating voltage	U <sub>B</sub>	max. 48 V AC / 60 V DC
Operating current	I <sub>B</sub>	max. 4 A per contact
<b>Conformity</b>		
Degree of protection		EN 60529
Plug connection		connector M12 x 1 : IEC 61076-2-101
Flammability		UL 1581; DIN EN 60332-2-2
Halogen-free		DIN VDE 0472-815 / DIN EN 50267-2-1
Oil resistance		DIN EN 60811-2-1
<b>Ambient conditions</b>		
Ambient temperature		
Connector 1		-40 ... 90 °C (-40 ... 194 °F)
Connector 2		-40 ... 125 °C (-40 ... 257 °F)
Cable, fixed		-50 ... 105 °C (-58 ... 221 °F)
Cable, flexing		-30 ... 105 °C (-22 ... 221 °F)
Pollution degree		3
<b>Mechanical specifications</b>		
Connector 1		
Tightening torque		0.6 Nm
Loosening protection		available
Tool installation		straight knurling and hexagon nut SW = 14 mm
Mating cycles		min. 100
Degree of protection		IP68 / IP69
Connector 2		
Loosening protection		available
Degree of protection		IP68
Cable		
Sheath diameter		4.8 mm
Bending radius		> 10 x cable diameter, moving > 5 x cable diameter, fixed
Sheath stripping force		max. 50 N / 300 mm
Sheath color		black (similar to RAL 7021)
Number of cores		4
Core cross section		0.5 mm <sup>2</sup>
Cores color		Core 2-2: brown Core 3-1: white Core 4-3: blue Core 5-4: black
Core construction		28 x 0.15 mm Ø 1 x symmetrically twisted
Length	L	0.6 m
Cable code		Li 9Y 11Y 4 x 0,50
Drag chain suitability		
Drag chain cycles		min. 2000000
Motion velocity		max. 3 m/s
Traverse distance		max. 10 m
Acceleration		max. 10 m/s <sup>2</sup>
<b>Material</b>		
Halogen-free		yes
Connector 1		
Screw connection		Zinc diecast, nickel-plated
Body		TPU, black
Seal		FKM
Contact surface		gold plated (Au)
Flammability		V-2
Connector 2		

Release date: 2023-12-08 Date of issue: 2023-12-08 Filename: 70173824\_eng.pdf

## Technical Data

Body	PA, black
Contact surface	Ni
Flammability	V-0
Cable	
Sheathing	PUR based on polyether
Core insulation	PP
Salt water resistance	yes
UV resistance	yes
Chemical resistance	good
Oil resistance	yes
Cooling lubricant resistance	yes
Microbial resistance	yes
Hydrolysis resistance	yes
Flammability	FT2

## Connection Assignment

