

# Cable pull rotary encoder

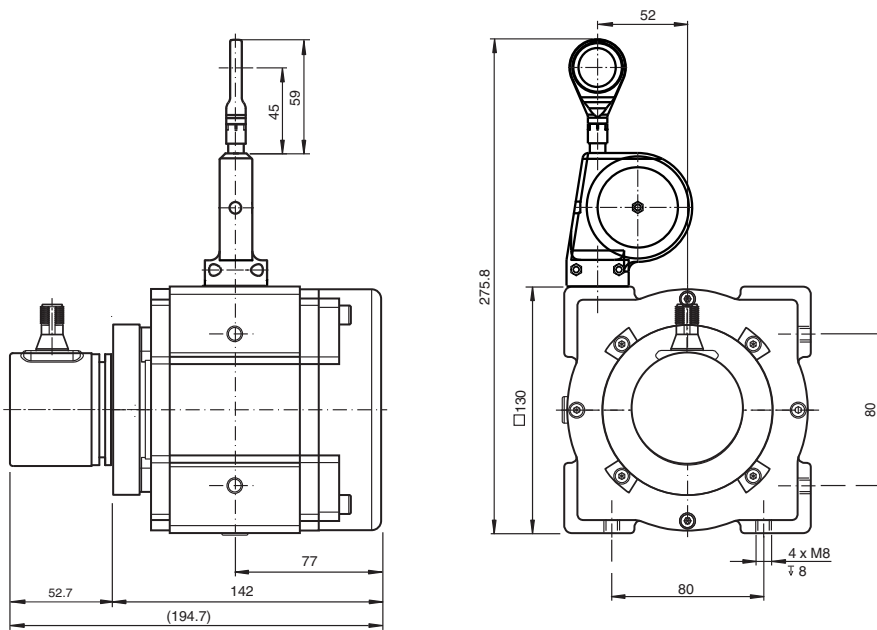
## ECA30PL-05A4A-Y16BD:NN:01

- Rust and acid-resistant measuring cable
- Robust aluminum drum housing
- Resolution: 13 singleturn, 12 bit multiturn

Cable pull rotary encoder with CANopen interface



### Dimensions



### Technical Data

#### General specifications

Detection type	magnetic sampling
Device type	Performance Line
Measuring range	5000 mm
Construction type	130 mm
Resolution	Cable pull: Design 130 mm: 0.04 mm Encoder: 25 Bit (13 Bit/revolution)

#### Electrical specifications

Operating voltage	$U_B$	9 ... 30 V DC
No-load supply current	$I_0$	≥ 350 mA

#### Interface

Interface type	CANopen
Resolution	
Single turn	13 Bit

Release date: 2024-01-31 Date of issue: 2024-01-31 Filename: 70175204\_eng.pdf

## Technical Data

Multiturn	12 Bit
Overall resolution	25 Bit
Transfer rate	max. 1 MBit/s
Standard conformity	communication profile: DS 301 Device profiles: DS 406 and DS 417 , programmable according to class 2
<b>Connection</b>	
Connector	M12 connector, 5 pin , A-coded
<b>Standard conformity</b>	
Degree of protection	according DIN EN 60529
Connection side	Encoder: IP65 Cable pull: IP64
Climatic testing	DIN EN 60068-2-3, no moisture condensation
Emitted interference	EN 61000-6-4:2007
Noise immunity	EN 61000-6-2:2005
<b>Ambient conditions</b>	
Ambient temperature	-30 ... 70 °C (-22 ... 158 °F)
Storage temperature	-30 ... 70 °C (-22 ... 158 °F)
Relative humidity	98 % , no moisture condensation
<b>Mechanical specifications</b>	
Rope diameter	1.35 mm
Drum perimeter	334.1 mm
Retraction speed	4 m/s
Spring retraction force	15 ... 21 N
<b>Material</b>	
Housing	aluminum, coated
Cable pull	anodized aluminum
Flange	anodized aluminum
Rope	Stainless steel 1.4401/316
Mass	2888 g
Life span	up to 10 <sup>6</sup> Cycles
<b>Factory settings</b>	
Default setting	see section "Customer-Specific Information"

## Customer-Specific Information

### Default Setting CANopen Parameter

Object	Description	Value
3000h	Node-ID	1 (decimal)
3001h	Baud Rate	05h (500 kBit/s)
3002h	Terminator	01h (activated)
3003h Subindex 1h	Auto Baud Detection	0h (disabled)

## Connection

Signal	5-pin, M12 x 1 connector
CAN GND	1
+V <sub>s</sub>	2
GND	3
CAN-High	4
CAN-Low	5
Shielding	Housing
Pinout	