

Y-Splitter

V15S-Y-TQ-V15/V15

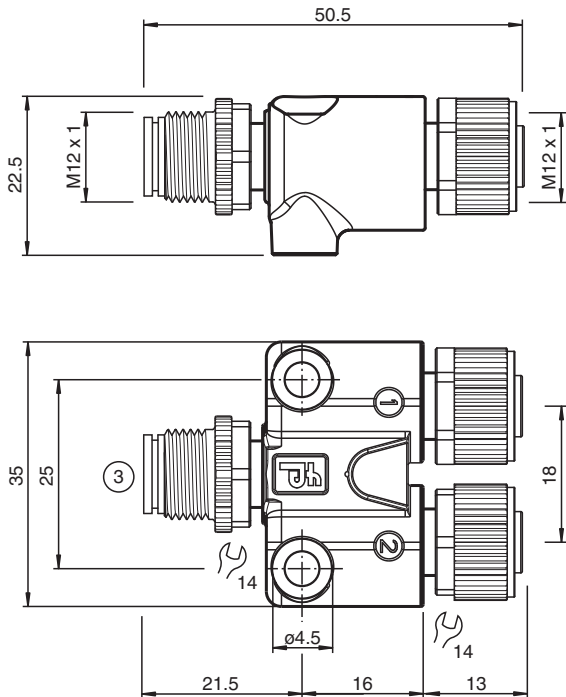


- Easy merging of two signals at a single M12 slot
- Degree of protection IP68 / IP69
- Free of paint wetting interfering substances
- UL listed for USA and Canada
- Specific design protects against loosening and inaccurate installation
- Meets the VASS6 standard

Y-Splitter M12 plug 5-pin to 2x M12 socket 4-pin A-coded, anti-twist protection



Dimensions



Technical Data

General specifications

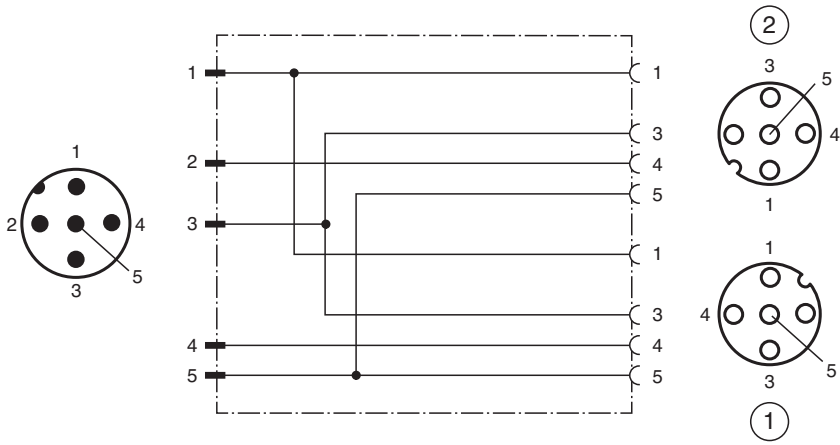
Connector 1	
Connection	socket
Construction type	M12
Style	straight
Locking	screw connection
Number of pins	4
Coding	A-coded
Connector 2	
Connection	socket
Construction type	M12

Release date: 2025-04-15 Date of issue: 2025-04-15 Filename: 70175875_eng.pdf

Technical Data

Style	straight	
Locking	screw connection	
Number of pins	4	
Coding	A-coded	
Connector 3		
Connection	plug	
Construction type	M12	
Style	straight	
Locking	screw connection	
Number of pins	5	
Coding	A-coded	
Electrical specifications		
Operating voltage	U _B	max. 48 V AC / 60 V DC
Operating current	I _B	4 A
Conformity		
Degree of protection	EN 60529	
Plug connection	connector M12 x 1 : IEC 61076-2-101	
Flammability	UL 94	
Approvals and certificates		
UL approval	UL 2238, 3rd Edition, CSA C22.2 No. 182.3-16.; CYJV/7	
UL File Number	E231213	
Ambient conditions		
Ambient temperature	-40 ... 90 °C (-40 ... 194 °F)	
Pollution degree	3	
Mechanical specifications		
Plug connector		
Tightening torque	0.6 Nm	
Loosening protection	integrated	
Tool installation	straight knurling and hexagon nut SW = 14 mm	
Mating cycles	min. 100	
Degree of protection	IP66 / IP68 / IP69	
Installation	anti-twist protection by means of double mounting holes 2x M4	
Mounting	Mounting hole for M4 screw	
Material		
Plug connector		
Screw connection	Zinc diecast, nickel-plated	
Body	TPU	
Seal	FKM	
Contact surface	gold plated (Au)	
Flammability	V-2	

Connection Assignment



Release date: 2025-04-15 Date of issue: 2025-04-15 Filename: 70175875_eng.pdf