



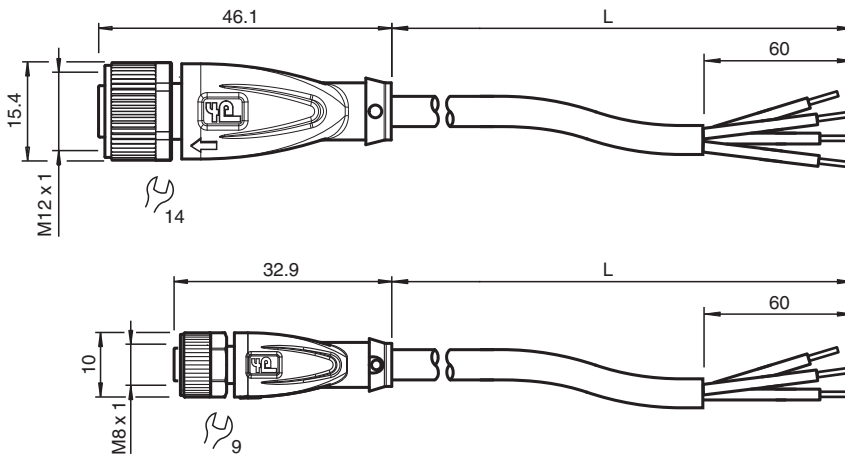
Female cordset CBL-SET-ST 04

- Suitable for drag chains and abrasion resistant
- Suitable for robotic applications / torsion resistant
- Degree of protection IP68 / IP69
- Free of paint wetting interfering substances
- Resistant to microbes and hydrolysis
- UV resistant
- UL listed for USA and Canada
- Halogen-free
- Specific design protects against loosening and inaccurate installation

Cable set for sensor tester ST 04, PUR cable black, UL approved, drag chain suitable, torsion resistant



Dimensions



Technical Data

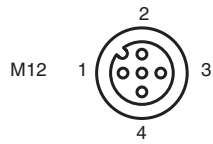
General specifications	
Customization	core ends sheath stripped , with wire end ferrule
Electrical specifications	
Operating voltage	U _B M12 max. 250 V AC/DC M8 4-pin max. 30 V AC/DC M8 3-pin max. 48 V AC / 60 V DC
Operating current	I _B max. 4 A
Conformity	
Degree of protection	EN 60529
Approvals and certificates	
UL approval	AWM STYLE 20549 AWM I/II A/B 80°C 300V FT2 (cable)
Ambient conditions	
Pollution degree	3
Mechanical specifications	
Cable	according to IEC/EN 60228 (DIN VDE 0295) class 6
Sheath diameter	4.3 mm
Bending radius	> 10 x cable diameter, movable installation > 5 x cable diameter, fixed installation
Number of cores	4

Release date: 2024-11-18 Date of issue: 2024-11-18 Filename: 70178808_eng.pdf

Technical Data

Core cross section		0.34 mm ²
Length	L	0.2 m
Drag chain suitability		
Drag chain cycles		min. 5000000
Motion velocity		max. 3.3 m/s
Traverse distance		max. 5 m
Acceleration		max. 5 m/s ²
Torsion cycles		min. 1000000
Torsional stress		± 180 °/m

Connection Assignment



- 1) BN
- 2) WH
- 3) BU
- 4) BK



- 1) BN
- 3) BU
- 4) BK



- 1) BN
- 2) WH
- 3) BU
- 4) BK

Release date: 2024-11-18 Date of issue: 2024-11-18 Filename: 70178808_eng.pdf