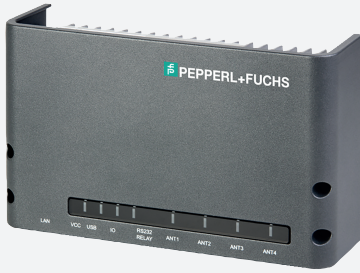


RFID read/write device

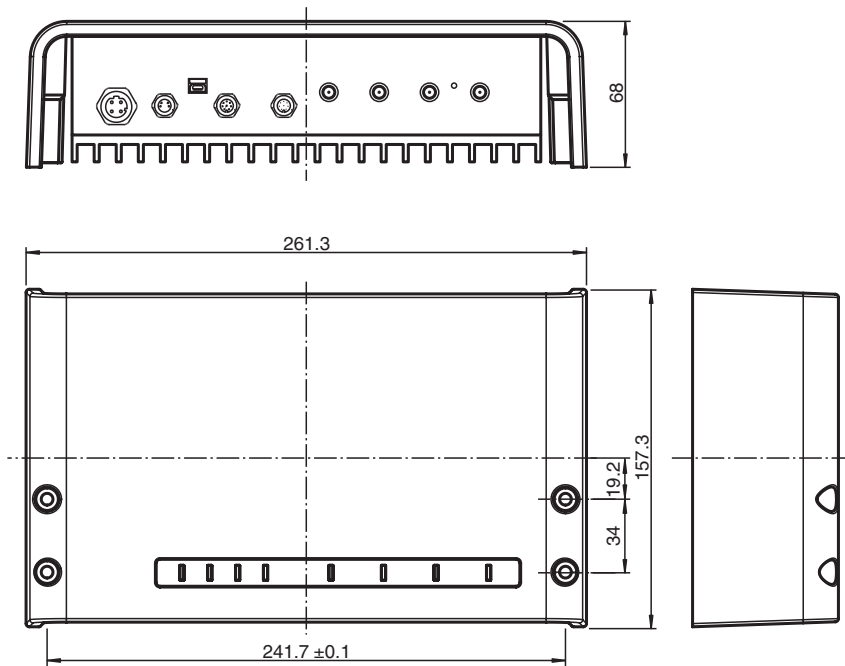
IUR-F800-V1D-4A-FR1-04



- Integrated multiplexer
- Multi-tag reading of up to 200 tags increases productivity
- Sturdy housing, suitable for rough industrial use

RFID read/write device UHF for connecting external antennas, India

Dimensions



Technical Data

General specifications

Operating frequency 865 MHz ... 867 MHz: India
Transmission licenses for other countries on request

Nominal ratings

Power Output 100 mW ... 2 W adjustable in 100 mW increments

Indicators/operating means

LED indication 16 LEDs for displaying the operating and antenna status

Electrical specifications

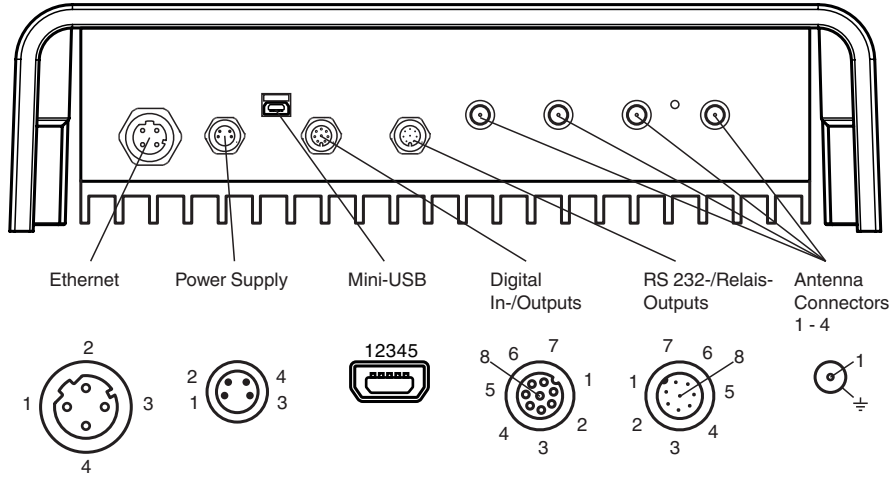
Operating voltage	U_B	24 V DC \pm 20 %
Power consumption	P_0	24 VA

Release date: 2024-11-22 Date of issue: 2024-11-22 Filename: 70178969_eng.pdf

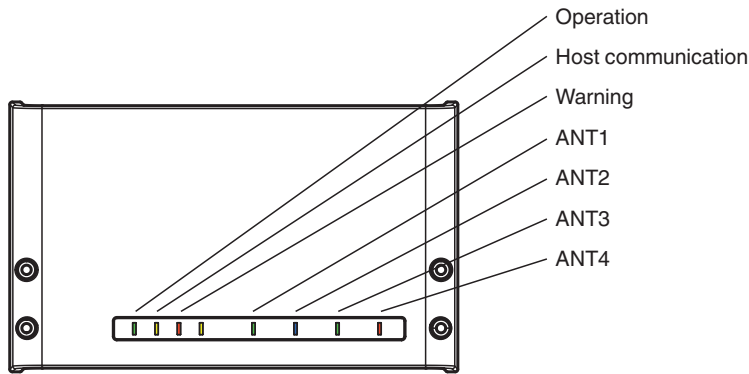
Technical Data

Interface	
Interface type	RS-232, Ethernet, USB (On-The-Go), Wiegand (Scan Mode Interface)
Inputs	
Connection	M8 connector, 8-pin
Input type	Optocoupler
Number of inputs	2
Input voltage	24 V DC
Input current	20 mA
Outputs	
Connection	M8 connector, 8-pin
Output type	2 x optocouplers, 2 x relays
Number of outputs	4
Output voltage	24 V DC
Output current	Optocoupler: 20 mA Relay: 1 A switching current, 2 A continuous load
Standard conformity	
Degree of protection	IEC 60529
RFID	ISO/IEC 18000-63
Ambient conditions	
Ambient temperature	-40 ... 70 °C (-40 ... 158 °F)
Storage temperature	-25 ... 85 °C (-13 ... 185 °F)
Climatic conditions	Air humidity 5 ... 95 %, noncondensing
Shock and impact resistance	Vibration (sine): 1 g, 10–150 Hz according to EN 60068-2-6 Shock (half-sine): 30 g according to EN 60068-2-27
Mechanical specifications	
Degree of protection	IP53
Connection	Inputs/outputs: M8 connector, 8-pin Relay, RS-232: M8 connector, 8-pin Ethernet: M12 plug connection Voltage supply: M8 connector, 4-pin External antennas: 4 SMA sockets, 50 Ω USB interface: mini-USB socket
Material	
Housing	powder coated aluminum
Mass	approx. 1800 g
Dimensions	
Height	157 mm
Width	260 mm
Length	68 mm

Connection



Indication



Release date: 2024-11-22 Date of issue: 2024-11-22 Filename: 70178969_eng.pdf