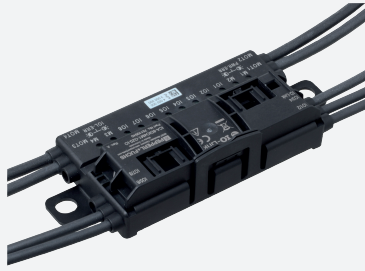


IO-Link Motor Roller Module

ICA-8IO-4M4-G20-IO-P20-AMS



- Configuration and control via IO-Link
- Connections for 24 V or 48 V DC roller motors
- Inputs for 2- and 3-wire sensors
- Electronic PNP outputs
- Function indicator for motors, inputs and outputs
- Mounting directly in the support profile

G20 MDR module with IO-Link for 8 digital inputs/outputs and 4 connections for MDRs (24 V / 48 V)



Function

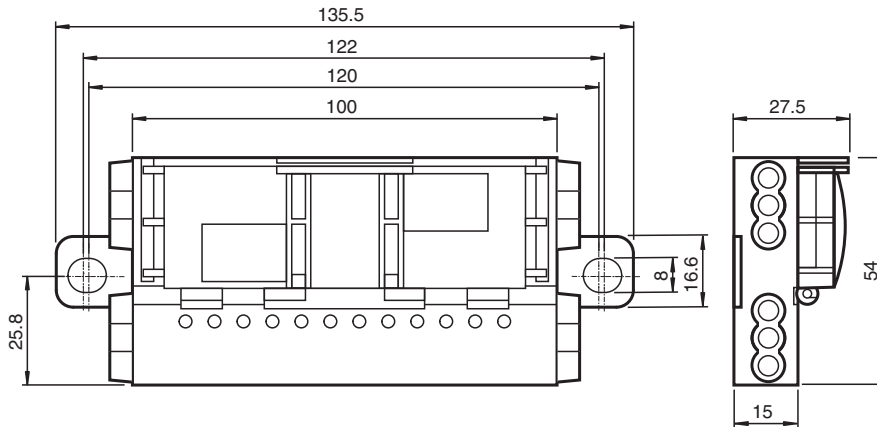
The ICA-8IO-4M4-G20-IO-P14 intelligent motor control module is a field module with eight combined sensor inputs or electronic digital outputs. The four outputs can be used to actuate DC roller motors with operating voltages of 24 V or 48 V. The compact housing is installed directly into support profiles or cable ducts. The voltage supply U_{PWR} is provided by piercing technology. The swiveling flat cable guide locks using a snap-fit without the use of tools.

The combined inputs and outputs and the motor outputs are connected using cable outputs with round M8 plug connectors. The inputs and outputs have 4-pin cable sockets with knurled screws, while the motor outputs have 5-pin snap-on female cordsets. A cable outlet with a 4-pin circular M12 connector is available for connection to IO-Link. The inputs and outputs are supplied via IO-Link. The motor outputs are supplied from U_{PWR} .

The current switch state or an overload of the inputs or outputs are indicated via the IO LEDs. The M LEDs signal the operating state of the motors (stop/operation/fault).

The module is configured via IO-Link.

Dimensions



Technical Data

General specifications

UL File Number	E223772 "For use in NFPA 79 Applications only"
MTBF	90 a
Compatible roller motors	Interroll EC310 Interroll EC5000 24 V AI (20 W / 35 W / 50 W) Interroll EC5000 48 V AI (20 W / 35 W / 50 W) Rulmeca BL3 Itoh Denki PM500XK Itoh Denki PM500XC PULSEROLLER Senergy-IDC MTA MRD50 (A interface, 24 V to 40 W) MTA MRD50 (A interface, 48 V to 44 W)

Release date: 2025-07-10 Date of issue: 2025-07-10 Filename: 70182122_eng.pdf

Technical Data

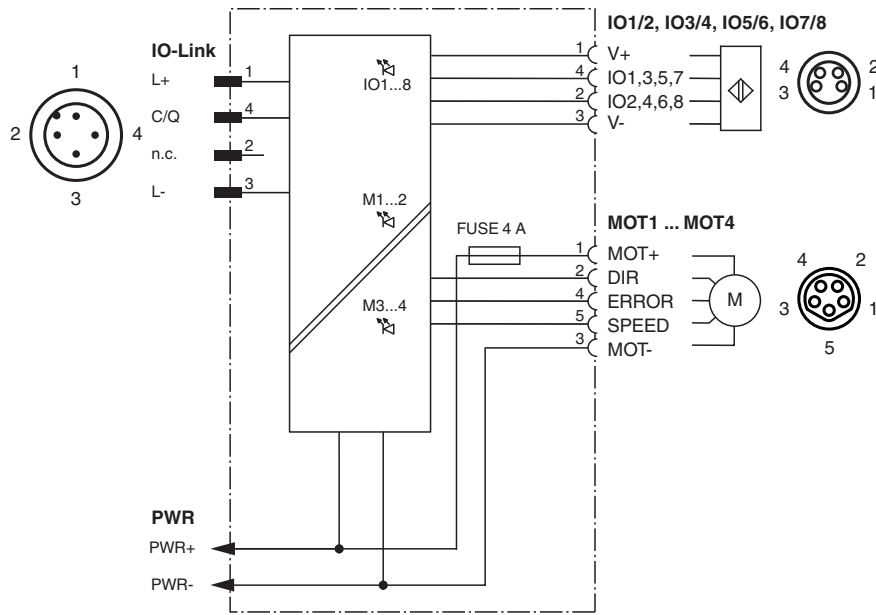
Indicators/operating means		
LED yellow/red		IO1 ... IO8: IN, OUT, IO-Link status M1 ... M4: motor status
Electrical specifications		
Auxiliary voltage	U_{PWR}	18 ... 56 V DC PELV Max. 10 A Current limitation of the supply max. 30 A For UL: Z-type miniature circuit breaker in accordance with UL 1077, max. 20 A, required
Operating voltage	U_B	18 ... 30 V DC, PELV Current limitation of the supply max. 4 A
No-load supply current	I_0	≤ 25 mA
Operating current	I_B	max. 2.5 A
Interface		
Interface type		IO-Link
IO-Link revision		1.1
Device profile		Identification and Diagnosis - I&D Firmware update
Process data		8 byte inputs (STD/EXT) 6 byte outputs (STD) 18 byte outputs (EXT)
Vendor ID		1 (0x0001)
Device ID		984230 (0x0F04A6) (STD) - default 984229 (0x0F04A5) (EXT)
Data transfer rate		COM3 (230.4 kbits/s)
Min. cycle time		1.2 ms (STD) 2 ms (EXT)
SIO mode support		no
Compatible master port type		Class A
Input		
Number/Type		8 Inputs for 3-wire sensors (PNP), DC (IO1 ... IO8)
Supply		from IO-Link
Current loading capacity		200 mA per connection IO1/2 ... IO7/8 , overload and short-circuit protected
Input current		≤ 5 mA (limited internally)
Switching point		Type 3 according to IEC 61131-2
Output 1		
Number/Type		8 electronic outputs, PNP (IO1 ... IO8), overload proof and short-circuit proof
Supply		from IO-Link
Current		200 mA per output
Voltage		≥ ($U_e - 1.5$ V)
Output 2		
Number/Type		4 outputs for DC roller motors (MOT1 ... MOT4)
Supply		via U_{PWR}
Current loading capacity		3.5 A (continuous), 5 A (< 2 s), max. 7.5 A (< 0.3 s) per motor Total current (continuous) max. 10 A per device ($T_B \leq 50$ °C) max. 6 A per device ($T_B \leq 60$ °C)
Overload protection		Fuse 4 A, $I^2t = 122.5$ A ² s per motor
Signal level		Speed: $U_S = 0.3 \dots 10$ V in no-load operation $R_i = 5.6$ k Ω , $R_{LOAD} \geq 35$ k Ω Direction of rotation: Digital output PNP U_D low = high resistance U_D high ≥ 12 V $R_i = 5.6$ k Ω , $R_{LOAD} \geq 15$ k Ω
Fault level		Motor fault: Digital input NPN 0 (no error) ≥ 125 μ A 1 (error) ≤ 25 μ A
Directive conformity		
Electromagnetic compatibility		
Directive 2014/30/EU		EN 61000-6-2:2005-08 EN 61000-6-4:2007-01 EN 61000-6-4/A1:2011-02

Release date: 2025-07-10 Date of issue: 2025-07-10 Filename: 70182122_eng.pdf

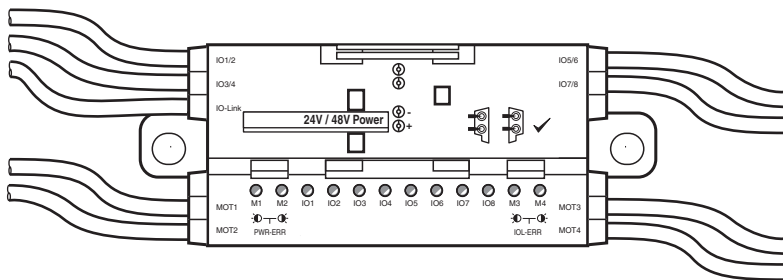
Technical Data

Standard conformity	
Degree of protection	EN 60529:2000
Input	EN 61131-2:2007
Communication interface	IEC 61131-9 / IO-Link V1.1.3
Emitted interference	EN 61000-6-4:2007
Noise immunity	EN 61000-6-2:2005, EN 61326-1:2006
Approvals and certificates	
UL approval	O1 ... O8 (Output 1): Load specification DC General Use / DC Pilot Duty Degree of protection not tested by UL; tested by Pepperl+Fuchs SE
Ambient conditions	
Ambient temperature	-25 ... 60 °C (-13 ... 140 °F)
Storage temperature	-25 ... 70 °C (-13 ... 158 °F)
Relative humidity	85 % non-condensing
Climatic conditions	For indoor use only
Altitude	≤ 5000 m above MSL
Shock and impact resistance	30 g, 11 ms in 6 spatial directions, 3 shocks 10 g, 16 ms in 6 spatial directions, 1000 shocks
Vibration resistance	0.35 mm / 5 g 5 ... 500 Hz
Pollution degree	2
Mechanical specifications	
Degree of protection	IP54 according to EN 60529
Connection	24 V/48 V power (PWR): Piercing technology, black or gray flat cable IO-Link: M12 round plug connector in accordance with EN 61076-2-101, LM type (4-pin, connector contacts, screw-locking, A-coded) Female connector: LF type or similar Inputs/outputs (IO), motors (MOT): M8 round plug connector in accordance with EN 61076-2-104 IO: LF type (4-pin, bushing contacts, screw-locking, A-coded) Female connector: LM type or similar MOT: NF type (5-pin, bushing contacts, snap-locking, B-coded) Female connector: NM type or similar
Mass	390 g
Dimensions	
Height	27.5 mm
Width	131.5 mm
Length	54 mm
Mounting	2 clips with Ø 8 mm drill hole The module must be secured to a solid, continuous surface using the two lugs
Cable length	1 m (IO-Link) 1,6 m (IO1/2, IO7/8), 0,9 m (IO3/4, IO5/6) 0,8 m (MOT1, MOT4); 0,2 m (MOT2, MOT3) max. 10 m
Note	The flat cable routing is designed for 100 actuation cycles

Connection



Indication



Release date: 2025-07-10 Date of issue: 2025-07-10 Filename: 70182122_eng.pdf