

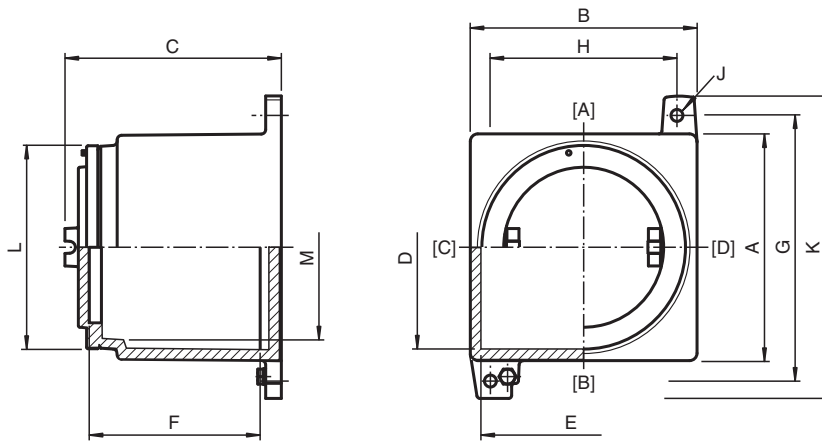
Aluminum Enclosure Ex d IIC with Threaded Cover

GUBW3.U-S0001

- Aluminum alloy
- Installation in Zone 1, Zone 2, Zone 21 and Zone 22
- Ex d and Ex tb certified
- Gas group IIC
- Degree of protection: IP 66



Dimensions



Release date: 2025-05-16 Date of issue: 2025-05-16 Filename: 70182743_eng.pdf

Dimension values see data table.
 Real values might differ slightly due to manufacturing tolerances.
 Dimensions are valid for standard enclosures and IP66 variants only.
 Image and drawing are generic for this device type and may deviate from the specific variant.

Legend	
A	Height
B	Width
C	Depth
D	Internal height
E	Internal width
F	Internal depth to surface mounting plate
G	Mounting holes distance, vertical
H	Mounting holes distance, horizontal
J	Mounting holes diameter
K	Maximum external dimension of mounting brackets

Legend	
L	Diameter threaded cover
L	Diameter circular window (window variants only)
M	Diameter mounting aperture
[A ... [D]	Cable entry faces

Technical Data

Electrical specifications

Operating voltage	1500 V DC / 1000 V AC max.
Operating current	recommended: 1600 A max.

Mechanical specifications

Thread type	metric ISO pitch 1.5 mm or NPT ANSI ASME B1.20.1
Enclosure cover	threaded round cover
Cover fixing	flamepath thread
Cover seal	none
Degree of protection	IP66

Cable entry face A

M20 quantity	20
M25 quantity	15
M32 quantity	10
M42 quantity	6
M50 quantity	5
M63 quantity	3
M75 quantity	2
M85 quantity	2
M110 quantity	1

Cable entry face B

M20 quantity	20
M25 quantity	15
M32 quantity	10
M42 quantity	6
M50 quantity	5
M63 quantity	3
M75 quantity	2
M85 quantity	2
M110 quantity	1

Cable entry face C

M20 quantity	20
M25 quantity	15
M32 quantity	10
M42 quantity	6
M50 quantity	5
M63 quantity	3
M75 quantity	2
M85 quantity	2
M110 quantity	1

Cable entry face D

M20 quantity	20
M25 quantity	15
M32 quantity	10
M42 quantity	6
M50 quantity	5
M63 quantity	3
M75 quantity	2
M85 quantity	2

Release date: 2025-05-16 Date of issue: 2025-05-16 Filename: 70182743_eng.pdf

Technical Data

M110 quantity	1
Cable entry enclosure cover	
M12 quantity	3
Cable entry enclosure bottom	
M20 quantity	10
M25 quantity	8
M32 quantity	4
M42 quantity	2
M50 quantity	2
Material	
Enclosure	aluminum alloy
Glass	thermo-resistant tempered glass
Finish	epoxy coated RAL 7005 (grey)
O-Ring	
Mass	approx. 11.5 kg
Dimensions	values might differ slightly due to casting and manufacturing tolerances
External dimension (A)	260 mm
External dimension (B)	260 mm
External dimension (C)	193 mm
Internal dimension (D)	228 mm
Internal dimension (E)	228 mm
Internal dimension (F)	152 mm
Mounting holes distance (G)	285 mm
Mounting holes distance (H)	228 mm
Mounting holes diameter (J)	10 mm
Number of mounting brackets	4
Diameter mounting aperture (M)	206 mm
Diameter viewing window (L)	160 mm
Maximum external dimension (K)	310 mm
Grounding	M6 external grounding points
Ambient conditions	
Ambient temperature	-60 ... 180 °C (-76 ... 356 °F)
Data for application in connection with hazardous areas	
EU-type examination certificate	INERIS 16 ATEX 9005U
Marking	⊕ II 2 GD Ex db IIC Gb Ex tb IIIC Db
Maximum power dissipation	359 W
International approvals	
IECEX approval	IECEX INE 16.0051U
UKCA approval	CML 21 UKEX 2976U
Further approvals	available on request
Conformity	
Degree of protection	EN 60529
CE marking	0080
General information	

Release date: 2025-05-16 Date of issue: 2025-05-16 Filename: 70182743_eng.pdf

Technical Data

Supplementary information

EC-Type Examination Certificate, Statement of Conformity, Declaration of Conformity, Attestation of Conformity and instructions have to be observed where applicable. For information see www.pepperl-fuchs.com.

Release date: 2025-05-16 Date of issue: 2025-05-16 Filename: 70182743_eng.pdf