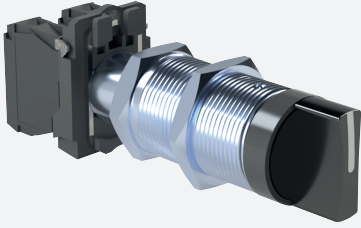


Actuator Head Assembly

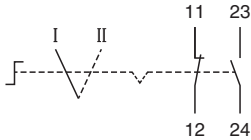
CFS.MOD.N2.CB11.K01.SP



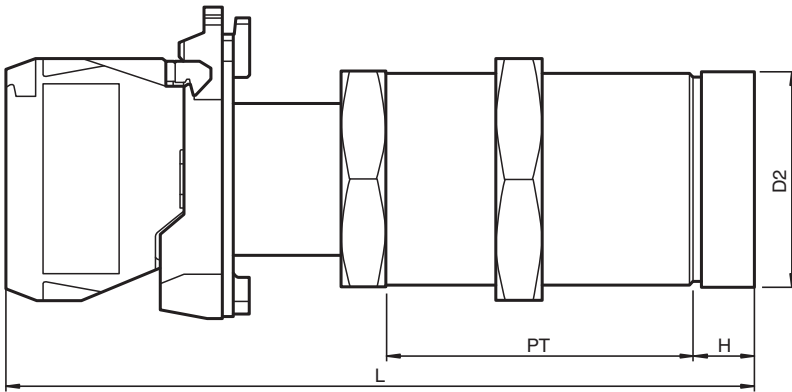
- Component for appropriately certified Ex d enclosures
- Ex db and Ex tb certified
- Polyamide and brass nickel-plated



Wiring Diagram



Dimensions



Dimension values see mechanical specifications.
Image and drawing are generic for this device type and may deviate from the specific variant.

Technical Data

Electrical specifications	
Operating voltage	250 V max.
Operating current	6 A max.
Terminal capacity	2x 1.5 mm ²
Terminal torque	0.8 Nm
Function	rotary actuator contact block
Contact configuration	1x NO / 1x NC all NC contacts have a direct opening action for emergency stop functions
Switching configuration	2 position changeover

Release date: 2025-07-21 Date of issue: 2025-07-21 Filename: 70182753_eng.pdf

Technical Data

Usage category	AC15: 12 ... 250 V AC - 1.2 A AC15: 12 ... 240 V AC - 3 A AC15: 12 ... 120 V AC - 6 A DC13: 12 ... 250 V DC - 0.27 A DC13: 12 ... 125 V DC - 0.55 A
Number of poles	2
Operator action	engage - engage
Labeling	none
Mechanical specifications	
Thread size (TD)	M28
Degree of protection	IP66
Material	
Housing	Polyamide (PA) , brass nickel-plated
Finish	inherent color black
Mass	134 g
Mechanical life	10000000 switching operations
Dimensions	
Actuator head diameter (D2)	28.5 mm
Panel wall thickness (PT)	10 ... 37.5 mm
Length outside enclosure (H)	22 mm
Total length (L)	114 mm
Tightening torque	1.2 Nm
Mounting	use with lid-mounted contact modules
Ambient conditions	
Service temperature	-40 ... 70 °C (-40 ... 158 °F)
Data for application in connection with hazardous areas	
EU-type examination certificate	CML 17 ATEX 1341U
Marking	Ⓜ II 2 GD Ex db IIC Gb Ex tb IIIC Db
International approvals	
IECEX approval	IECEX CML 17.0181U
UKCA approval	CML 21 UKEX 1422U
Conformity	
Degree of protection	EN 60529
General information	
Supplementary information	EC-Type Examination Certificate, Statement of Conformity, Declaration of Conformity, Attestation of Conformity and instructions have to be observed where applicable. For information see www.pepperl-fuchs.com .
Enclosure type	EJB , EJBX
Accessories	
Optional accessories	