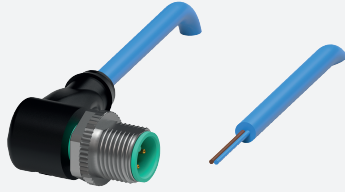


Cable connector

V11S-W-BL3M-PUR-Y70183325

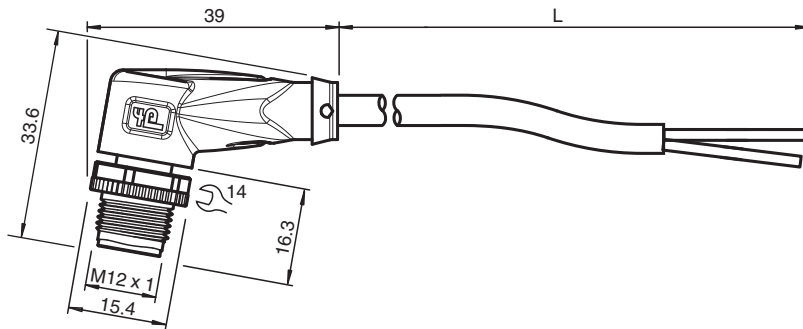


- Degree of protection IP68 / IP69
- Specific design protects against loosening and inaccurate installation
- Customer-specific configuration

Male cordset single-ended M12 angled A-coded, 2-pin, PUR cable blue



Dimensions



Technical Data

General specifications			
Connector 1			
Connection		plug	
Construction type		M12	
Style		angled	
Locking		screw connection	
Number of pins		2	
Coding		A-coded	
Customization		customer-specific pin assignment	
Connector 2			
Connection		cable end	
Electrical specifications			
Operating voltage	U_B	max. 250 V AC/DC	
Operating current	I_B	max. 4 A	
Conformity			
Degree of protection		EN 60529	
Plug connection		connector M12 x 1 : IEC 61076-2-101	

Release date: 2025-04-11 Date of issue: 2025-04-11 Filename: 70183325_eng.pdf

Technical Data

Ambient conditions

Ambient temperature		
Plug connector		-40 ... 90 °C (-40 ... 194 °F)
Cable, fixed installation		-40 ... 80 °C (-40 ... 176 °F)
Cable, flexing		-20 ... 80 °C (-4 ... 176 °F)
Pollution degree		3

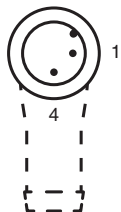
Mechanical specifications

Plug connector		
Tightening torque		0.6 Nm
Loosening protection		integrated
Tool installation		straight knurling and hexagon nut SW = 14 mm
Mating cycles		min. 100
Degree of protection		IP68 / IP69
Cable		according to IEC/EN 60228 (DIN VDE 0295) class 6
Sheath diameter		4.8 mm
Bending radius		> 15 x cable diameter, movable installation > 10 x cable diameter, fixed installation
Sheath color		blue (similar to RAL 5015)
Number of cores		2
Core cross section		0.34 mm ²
Cores color		Core 1: brown Core 4: blue
Core construction		42 x 0.1 mm Ø
Length	L	3 m
Cable code		Li FY 11Y 2 x 0.34
Mass		87 g

Material

Plug connector		
Screw connection		Zinc diecast, nickel-plated
Body		TPU, black
Contact surface		gold plated (Au)
Flammability		V-2
Cable		
Sheathing		PUR based on polyether
Cores		bare copper (Cu)
Core insulation		PVC
Flammability		HB

Connection Assignment



1	—	BN
4	—	BU