



# Alarm sander

## PF-IS-SM-105

- ATEX, IECEx and UKEX approval
- For use in Zone 0, 1, 2, 20, 21, 22 and mining applications
- Max. output of 105 dB
- Available with 32 tones and 2 stages
- Recommended for fire, security and process control applications
- Degree of protection: IP 66
- Compliant with EN 54-3
- Diode polarized and end of line resistor compatible

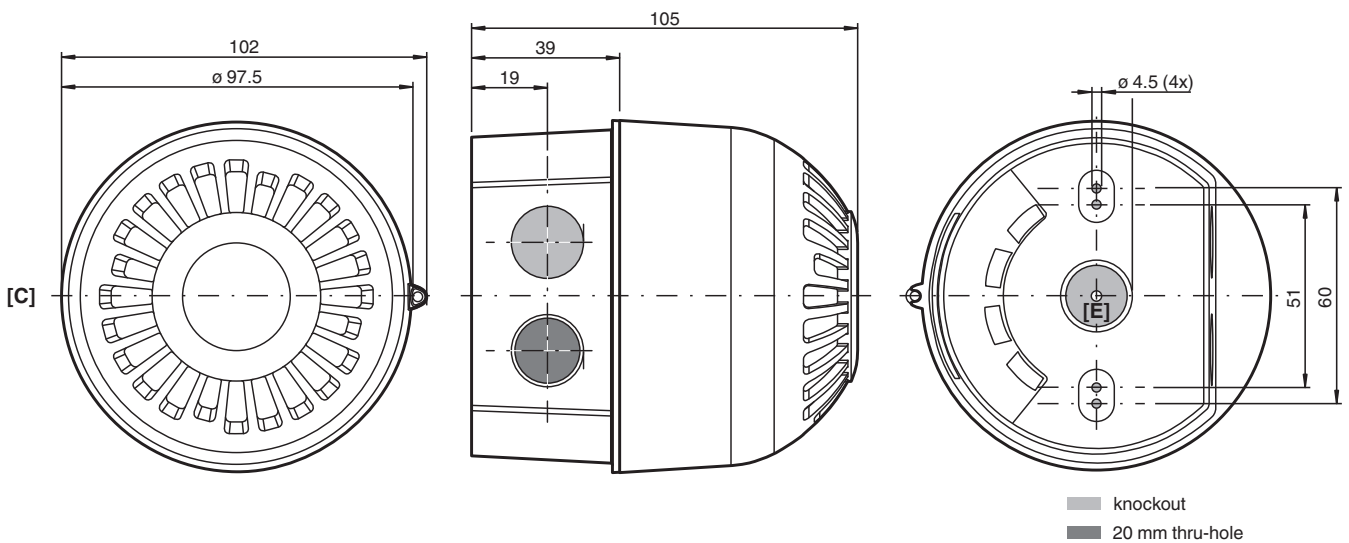
Alarm Sander 105 dB Ex ia IIC



### Function

The PF-IS-SM-105 is a compact, intrinsically safe electronic alarm sander with a maximum output of 105 dB(A) measured with the appropriate safety barrier connected. The versatile device can be used in above ground Group II applications including Zone 0 & Zone 20 as well as Group I mining applications. With the wide temperature range of -40 °C to +60 °C added to the degree of protection of IP66, this powerful device is suitable for many potentially explosion-hazardous areas. Flexibility is also a feature of this device and various mounting holes together with up to three thru-holes ensure that mounting and cabling is quick and easy.

### Dimensions



Real values might differ slightly due to manufacturing tolerances.

### Technical Data

Electrical specifications	
Operating voltage	16 ... 28 V DC , via zener barrier or galvanic isolator
Operating current	21 mA @ 24 V DC max. - value measured with Zener barrier connected
Terminal capacity	0.5 ... 2.5 mm <sup>2</sup>
Function	Alarm sander
Flash mode	
Sound pressure level, maximum	105 dB @ 1 m +/- 3 dB - sound 18 , 95 dB @ 3 m
Sound pressure level, nominal	87 dB @ 1 m +/- 3 dB - sound 1
Number of sounds	32

Release date: 2025-02-05 Date of issue: 2025-02-05 Filename: 70184306\_eng.pdf

## Technical Data

Number of stages	2	
<b>Mechanical specifications</b>		
Enclosure cover	fully detachable	
Cover fixing	Stainless steel screws	
Degree of protection	IP66	
Cable entry face C		
M20 quantity	1	
M20 type	thru-holes	
M20 info	without entry devices (ordered separately)	
Cable entry face E		
M20 quantity	1	
M20 type	knockout	
Material		
Enclosure	Polycarbonate UL94 V2	
Finish	RAL 3000 (red)	
Seal	nitrile O-ring	
Seal insert	Neoprene	
Mass	0.29 kg	
Grounding	Internal connection	
<b>Ambient conditions</b>		
Ambient temperature	-40 ... 60 °C (-40 ... 140 °F)	
Storage temperature	-40 ... 70 °C (-40 ... 158 °F)	
<b>Data for application in connection with hazardous areas</b>		
EU-type examination certificate	ERO 24 ATEX 0014X	
Marking	Ⓢ II 1 GD Ex ia IIC T6 Ga Ex ia IIIC T <sub>200</sub> 85°C Da Ⓢ I M1 Ex ia I Ma	
Equipment		
Voltage	U <sub>i</sub>	28 V max.
Current	I <sub>i</sub>	93 mA max.
Power	P <sub>i</sub>	660 mW max.
Internal capacitance	C <sub>i</sub>	0 µF max.
Internal inductance	L <sub>i</sub>	0 mH max.
<b>International approvals</b>		
IECEX approval	IECEX EMT 24.0011X	
UKCA approval	EMA 24 UKEX 0006X	
Further approvals	available on request	
<b>Conformity</b>		
Degree of protection	EN 60529	
CE marking	2829	
UKCA marking	2503	
<b>General information</b>		
Scope of delivery	device Instruction leaflet Gasket set Allen wrench anti-rotation grub screw	
Supplementary information	EC-Type Examination Certificate, Statement of Conformity, Declaration of Conformity, Attestation of Conformity and instructions have to be observed where applicable. For information see <a href="http://www.pepperl-fuchs.com">www.pepperl-fuchs.com</a> .	
<b>Accessories</b>		
Optional accessories	CG.PIDS1.M20.PA.C.10.K01.LN55 SP.PE.M20.*	