

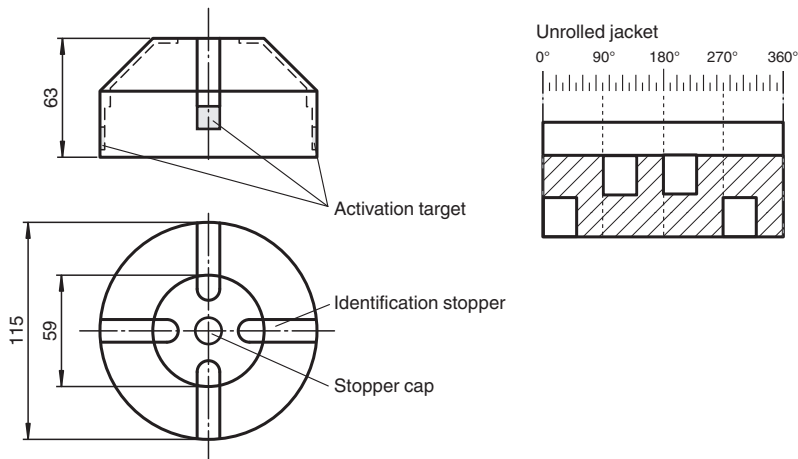


Activator BT115C

- 4 fixed actuating lugs for redundant construction of 2 dual sensors at rotational motion of 90°
- Additionally loose actuating lugs for individual fixing
- Suitable for right and left rotating drives

Activator for F31 series

Dimensions



Technical Data

General specifications	
Ring diameter	max. 110 mm
Spring ring height	max. 7 mm
Ambient conditions	
Ambient temperature	-40 ... 85 °C (-40 ... 185 °F)
Mechanical specifications	
Shaft diameter	< 90 mm
Shaft height	30 mm and 50 mm
Mounting hole pattern	30 x 130 mm
Material	
Housing	Mounting component: PA
Spacer disk	PA (2 units, 10 mm strong)
Stopper cap	PE (1 unit black)
Identification stopper	PA (3 pcs. yellow, 3 pcs. black)
Mounting screw	for activator: 1.4305 / AISI 303 (1 piece M6 x 25) (1 piece M6 x 35) for sensors - F31: 1.4305 / AISI 303 (2 pieces M5 x 16) (2 pieces M5 x 12)
Activation target	Stainless steel 1.4305 / AISI 303 (integrated)
Mass	120 g
Tightening torque, fastening screws	≤ 1.5 Nm

Release date: 2025-05-20 Date of issue: 2025-05-20 Filename: 70184785_eng.pdf

Function

The activator consists of a conductive plastic material which prevents static charging and allows installation in potentially explosive environments.