

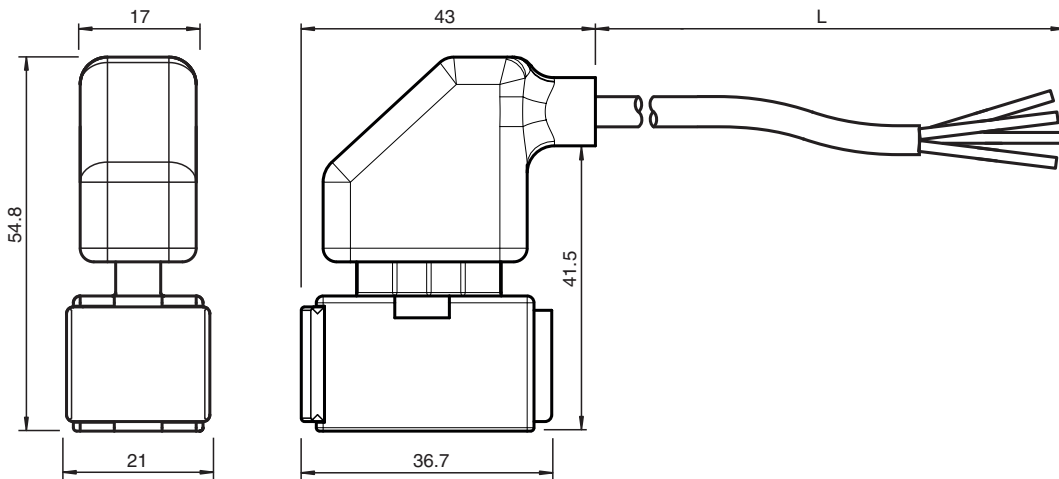
Female cordset JPT4-W-8M-PVC

■ Degree of protection IP69K

Female cordset single-ended Junior Power Timer angled, 4-pin, PVC cable grey



Dimensions



Technical Data

General specifications

Connector 1		
Connection		socket
Construction type		Junior Power Timer
Style		angled
Number of pins		4
Connector 2		
Connection		cable end

Electrical specifications

Operating voltage	U_B	12 ... 14 V AC/DC
Operating current	I_B	max. 13 A

Conformity

Degree of protection		EN 60529
Product standard		on the basis of IEC 60227-5 and DIN EN 50525-2-51
Flammability		IEC 60332-1-2

Ambient conditions

Ambient temperature		
Plug connector		-5 ... 70 °C (23 ... 158 °F)
Cable, fixed installation		-40 ... 80 °C (-40 ... 176 °F)
Cable, flexing		-5 ... 70 °C (23 ... 158 °F)

Mechanical specifications

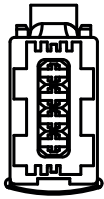
Plug connector		
Loosening protection		sliding lock
Degree of protection		IP69K
Cable		according to IEC/EN 60228 (DIN VDE 0295) class 5

Release date: 2024-11-05 Date of issue: 2024-11-05 Filename: 70186610_eng.pdf

Technical Data

Sheath diameter		6.2 mm
Bending radius		> 15 x cable diameter, movable installation > 4 x cable diameter, fixed installation
Sheath color		grey (similar to RAL 7001)
Number of cores		4
Core cross section		0.75 mm ²
Cores color		Core 1: brown Core 2: black Core 3: grey Core 4: blue
Length	L	8 m
Cable code		Li YY 4 x 0,75
Material		
Plug connector		
Body		TPU, black
Cable		
Sheathing		PVC
Cores		bare copper (Cu)
Core insulation		PVC
Flammability		flame-resistant

Connection Assignment



1
2
3
4

1) ————— BN
2) ————— BK
3) ————— GY
4) ————— BU