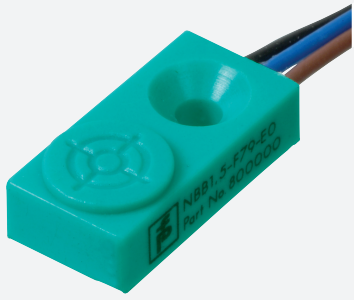


Inductive sensor

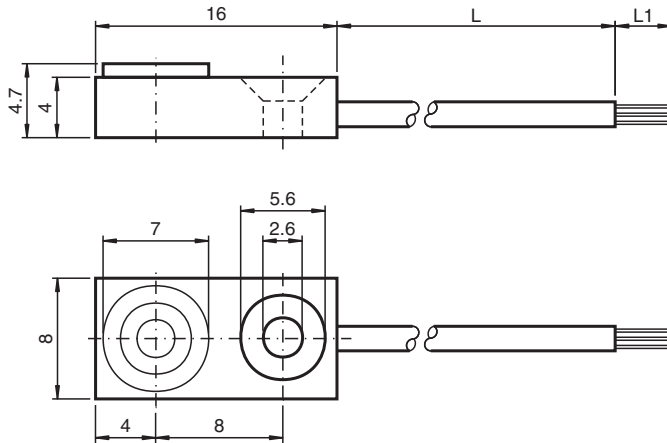
NBB1,5-F79-E2-Y70187307



- Basic series
- 1.5 mm flush
- 3-wire DC



Dimensions



Technical Data

General specifications

Switching function		Normally open (NO)
Output type		PNP
Rated operating distance	s_n	1.5 mm
Installation		flush
Output polarity		DC
Assured operating distance	s_a	0 ... 1.215 mm
Reduction factor r_{Al}		0.3
Reduction factor r_{Cu}		0.2
Reduction factor r_{304}		0.7
Output type		3-wire

Nominal ratings

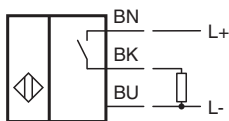
Operating voltage	U_B	5 ... 30 V DC
Switching frequency	f	0 ... 1200 Hz
Hysteresis	H	typ. 5 %
Short-circuit protection		pulsing
Voltage drop	U_d	≤ 1.5 V
Operating current	I_L	0 ... 100 mA

Release date: 2025-03-18 Date of issue: 2025-03-18 Filename: 70187307_eng.pdf

Technical Data

Off-state current	I_r	$\leq 10 \mu\text{A}$
No-load supply current	I_0	$\leq 15 \text{ mA}$
Time delay before availability	t_v	$\leq 20 \text{ ms}$
Functional safety related parameters		
MTTF _d		4830 a
Mission Time (T _M)		20 a
Diagnostic Coverage (DC)		0 %
Compliance with standards and directives		
Standard conformity		
Standards		EN IEC 60947-5-2
Approvals and certificates		
UL approval		UL Recognized , Class 2 power source
CCC approval		CCC approval / marking not required for products rated $\leq 36 \text{ V}$
Ambient conditions		
Ambient temperature		-25 ... 70 °C (-13 ... 158 °F)
Mechanical specifications		
Connection type		flexible leads
Housing material		PA
Sensing face		PA
Degree of protection		IP67
Cable		
Cable diameter		1 mm \pm 0.1 mm
Material		PVC
Core cross section		0.08 mm ²
Length	L	80 mm further length specifications: L1 = 5 mm
Dimensions		
Height		4.7 mm
Width		8 mm
Length		16 mm

Connection



Release date: 2025-03-18 Date of issue: 2025-03-18 Filename: 70187307_eng.pdf